

Singer 81-11

Form 6829
May, 1916

PRICE LIST

OF

PARTS



MACHINE NO. 81-11

THE SINGER MANUFACTURING COMPANY

COPYRIGHT, U. S. A., 1916, BY THE SINGER MANUFACTURING CO.

INDEX

	PAGE
ACCESSORIES.....	13
FOOT LIFTER PARTS.....	13
IRON BASE.....	13
KNEE LIFTER PARTS.....	14
MACHINE No. 81-11.....	7
NUMERICAL LIST OF PARTS.....	21
OBSOLETE PARTS.....	19
SPOOL HOLDER.....	15
THREAD UNWINDER.....	15
UNDER DRIVER (BALL BEARING).....	17
“ “ (OIL CONTROLLING PULLEY).....	16

From the library of: Diamond Needle Corp

INSTRUCTIONS FOR ORDERING

In ordering from this list, use **ONLY** the part **NUMBER** in the **FIRST** column.

The number stamped on a Sewing Machine part is in every case the number of the single part only.

Every combination of parts sent out as such has its specific number, which, although not stamped on the parts, must be used when ordering the combination.

Each number always indicates the **SAME PART** in whatever list it appears, or for whatever machine.

The letters after some of the numbers indicate the style of finish only, as follows:

- A. Hardened, Polished and Plated.
- B. Polished and Plated.
- C. Hardened only.
- D. Polished only.
- E. Soft, not Polished.
- F. Hardened and Polished.
- G.
- H. Blued.
- J. Plated only.
- K. Hardened and Plated.
- L. Brass or Gilt.
- M. Oxidized.
- P. Japanned.

These letters **MUST BE USED** when they appear in the list, and **AFTER** the number as in the list.

In this series

- 1 to 1500 and 50001 to 51500 are Screw Numbers.
- 1501 to 1800 are Nut Numbers.
- 1801 to 2000 are Roller Numbers.
- 2001 to 50000 and 52001 and upward are numbers of Machine Parts.

The figures in the second column refer only to the plates, illustrating the parts, and are **NOT TO BE USED** in ordering.

Parts marked with an asterisk (*) are furnished only when repairs are made at factory.

LIST OF PARTS COMPLETE

FOR

MACHINE NO. 81-11

FOR CLOSING SELVAGE EDGES OF KNIT FABRICS PRODUCING A FLAT SEAM. NO TRIMMER. TWO-THREAD STITCH.
FOOT LIFTER

NO.	PLATE	NAME	EACH
*42251	—	Arm with two each 462c and 42253.....	\$12 00
4389	5585	" Dowel Pin.....	02
949E	5587	" Screw.....	06
42001	5576	Balance Wheel with 424c and 1354c....	1 00
1354C	5587	" " Position Screw.....	04
424C	5587	" " Set Screw.....	05
42002	5526	Cloth Plate.....	3 00
42107	—	Cloth Plate complete, Nos. 42002, 42003, 42005, 42108, two 236D and five 229D..	6 50
42003	5526	Cloth Plate Extension (lower).....	3 00
229D	5587	" " " " Screw.....	02
42108	5526	" " " " (upper).....	20
229D	5587	" " " " " Screw.....	02
1437D	5587	" " Hinge Screw.....	10
1655E	5587	" " " " Nut.....	04
42005	5526	" " Lock Spring.....	15
236D	5587	" " " " " Screw.....	02
42205	5588	Feed Bar with 1253c.....	2 50
42007	5578	" " Hinge Pin.....	15
1253C	5587	" " " " " Set Screw.....	03
42008	5578	" Connecting Rod with 42009 and two 1057E.....	60
*42009	—	Feed Connecting Rod Cap.....	—
1057E	5578	" " " " " Screw.....	04
1373C	5578	" " " " " Hinge Screw.....	10
1520C	5578	" " " " " Nut..	03
42289	5540	" Dog.....	75
190D	5540	" " Screw.....	03
42011	5578	" Eccentric with two 453c.....	1 00
42094	5526	" " Cover.....	25
42102	5582	" " " " Holder.....	2 00
283D	5582	" " " " " T h u m b Screw.....	10

From the library of: Diamond Needle Corp

NO.	PLATE	NAME	EACH
2749	5582	Feed Eccentric Cover Holder Thumb Screw Washer.....	\$ 01
207F	5587	Feed Eccentric Cover Screw.....	02
453c	5578	" " Set Screw.....	02
42012	5578	" Lifting Eccentric with two 462c....	1 50
42013	5578	" " " Connection.....	1 00
462c	5544	" " " Set Screw.....	02
1374c	5578	" Regulating Screw Stud.....	15
1680c	5578	" " " Nut.....	06
42290	5578	" " " " Washer.....	05
42014	5579	" Regulator with 233D and two 1259c.	1 25
42015	5578	" " " Connection with 1012E..	1 00
1012E	5578	" " " Adjusting Screw.....	05
1373c	5578	Feed Regulator Connection Hinge Screw	10
1520c	5578	" " " " " "	
		Nut.....	03
42016	5579	Feed Regulator Hinge Stud.....	60
1259c	5579	" " Set Screw.....	03
233D	5579	" " Stop Screw.....	02
42019	5588	" Rock Shaft.....	50
42020	—	Feed Rock Shaft complete, Nos. 42019 and 42021.....	85
42021	5578	Feed Rock Shaft Crank with 157E.....	35
157E	5578	" " " " Clamping Screw.	04
42098	5579	" " " Hinge Pin.....	25
42079	5579	" " " " Bushing.....	50
1036c	5579	" " " " " " Set Screw.....	03
*42022	—	Frame.....	12 00
42023	5576	" Rotary Shaft.....	2 00
42024	5576	" " " Bushing (front).....	35
1036c	5579	" " " " " " Set Screw.....	03
42025	5579	Frame Rotary Shaft Crank with 1259c and 1375c.....	2 00
1375c	5579	Frame Rotary Shaft Crank Position Screw	03
1259c	5579	" " " " Set Screw....	03
42026	5576	" " " Flanged Bushing (back).....	60
42365	5585	Frame Rotary Shaft Flanged Bushing (back) Oil Pad (braided cotton) long..	01
42366	5585	Frame Rotary Shaft Flanged Bushing (back) Oil Pad (braided cotton) short..	01
1036c	5579	Frame Rotary Shaft Flanged Bushing (back) Set Screw.....	03

NO.	PLATE	NAME	EACH
42367	5585	Frame Rotary Shaft Front Bearing Oil Pad (braided cotton).....	\$ 01
42193	5588	Frame Side Cover (left) with 19045.....	25
19045	5585	" " " " Handle.....	05
330D	5587	" " " " Screw.....	02
42028	5526	" " " (right) hinged.....	40
42192	5540	" " " " Lock Spring	25
330D	5587	" " " " " "	
		Screw.....	02
330D	5587	Frame Side Cover (right) Screw.....	02
42029	5576	" Top Cover.....	2 50
742F	5587	" " " Screw.....	05
42194	5540	Guide.....	1 25
217F	5585	" Screw.....	03
7071	5540	" " Washer.....	01
42114	5582	Looper (left hand).....	2 00
42051	5579	" " " Lever with 209H.....	3 00
42052	5579	" " " " Connecting Link	75
378c	5579	" " " " " "	
		Hinge Screw.....	10
1520c	5578	Looper (left hand) Lever Connecting Link Hinge Screw Nut.....	03
42053	5579	Looper (left hand) Lever Hinge Stud....	1 25
1036c	5579	" " " " " " Set Screw.....	03
		Looper (left hand) Set Screw.....	02
42166	5582	" (right hand).....	2 25
42073	5582	" " " and Spreader Lever with 1259c.....	3 50
42074	5582	Looper (right hand) and Spreader Lever Ball Stud.....	75
1259c	5579	Looper (right hand) and Spreader Lever Ball Stud Set Screw.....	03
42075	5582	Looper (right hand) and Spreader Lever Connection with 42059, 42076 and four 1057E.....	1 50
*42076	—	Looper (right hand) and Spreader Lever Connection Cap (lower).....	35
1057E	5578	Looper (right hand) and Spreader Lever Connection Cap (lower) Screw.....	04
*42059	—	Looper (right hand) and Spreader Lever Connection Cap (upper).....	35
1057E	5578	Looper (right hand) and Spreader Lever Connection Cap (upper) Screw.....	04
42077	5584	Looper (right hand) and Spreader Lever Connection Guide.....	75

NO.	PLATE	NAME	EACH
171F	5544	Looper (right hand) and Spreader Lever Connection Guide Screw.....	\$ 03
42106	5584	Looper (right hand) and Spreader Lever Connection Oil Tube and Bracket with 29599.....	50
29599	5584	Looper (right hand) and Spreader Lever Connection Oil Tube Packing (felt), per 100.....	25
42078	5584	Looper (right hand) and Spreader Lever Hinge Pin.....	25
42079	5579	Looper (right hand) and Spreader Lever Hinge Pin Bushing.....	50
1259c	5579	Looper (right hand) and Spreader Lever Hinge Pin Bushing Set Screw.....	03
197D	5582	Looper (right hand) Screw.....	02
42054	5544	Needle Bar.....	75
42253	5544	" " Bushing.....	25
462c	5544	" " " " Set Screw.....	02
42061	5544	" " Connecting Bracket with 187D and 223F.....	1 00
187D	5544	Needle Bar Connecting Bracket Clamping Screw.....	02
42055	5544	Needle Bar Connecting Link.....	1 25
40247	5544	" " " " Hinge Pin.....	05
223F	5544	" " " " " " " Set Screw for 42061.....	02
904c	5544	Needle Bar Connecting Link Hinge Pin Set Screw for 42104.....	02
42057	5544	Needle Bar Connecting Rod with 42059, 42076 and four 1057E.....	1 50
*42076	—	Needle Bar Connecting Rod Cap (lower)	35
1057E	5578	" " " " " " " Screw.....	04
*42059	—	Needle Bar Connecting Rod Cap (upper)	35
1057E	5578	" " " " " " " Screw.....	04
42077	5584	Needle Bar Connecting Rod Guide	75
171F	5544	" " " " " " " Screw.....	03
42103	5544	Needle Bar Crank (back) with 1258c and two 1259c.....	75
42074	5582	Needle Bar Crank (back) Ball Stud.....	75
1259c	5579	" " " " " " " Set Screw.....	03
1259c	5579	Needle Bar Crank (back) Position Screw.....	03
1258c	5544	" " " " " " " Set Screw.....	02

NO.	PLATE	NAME	EACH
42104	5544	Needle Bar Crank (front) with 904c, 1258c and 1259c.....	\$ 75
1259c	5579	Needle Bar Crank (front) Position Screw.....	03
1258c	5544	" " " " Set Screw.....	02
42105	5544	" " " Shaft.....	50
42115	5544	" " Thread Retainer Bracket.....	75
228D	5544	" " " " " Screw.....	02
10106	5544	Needle Bar Thread Retainer Disc.....	03
93H	5544	" " " " " Screw.....	04
10107	5544	" " " " " Spring.....	01
1629c	5544	" Clamping Nut.....	05
42066	5544	" Guard.....	40
42195	5588	" " Holder.....	3 00
1101c	5587	" " " " " Screw.....	10
171F	5544	" " " " " Screw.....	03
42196	—	Presser Foot Body.....	3 50
9320	5585	" " Hinge Pin..... per 100	10 00
42197	—	" " Plate.....	2 00
14058	5585	" " Spring.....	02
42160	5585	" " " " " Adjusting Pin.....	05
464c	5587	" " " " " " " Set Screw.....	02
42198	5540	Presser Foot (spring hinged) complete, Nos. 464c, 9320, 14058, 42160, 42196 and 42197.....	4 65
1324c	5587	Presser Foot Screw.....	05
39541	5586	" " " " " Washer.....	05
42069	5576	" " Lever.....	2 50
42045	5582	" " Hinge Stud.....	50
1120c	5582	" " " " " Set Screw.....	03
42070	5584	" " Lifter.....	20
85D	5584	" " " " " Hinge Screw.....	05
1377c	5584	" " " " " Screw Stud (eccentric).....	10
1547D	5584	" " " " " Nut.....	03
42071	5584	" " Spring.....	05
1378D	5584	Pressure Regulating Thumb Screw.....	10
42072	5584	Spreader.....	2 50
197D	5582	" " Screw.....	02
2102	5585	Tension (looper, left hand) Disc.....	05
1560c	5585	" " " " " " " Regulating Thumb Nut.....	04
828c	5585	Tension (looper, left hand) Screw Stud.....	08
10148	5585	" " " " " Spring.....	03
2102	5585	" (looper, right hand) Disc.....	05
1560c	5585	" " " " " " " Regulating Thumb Nut.....	04
828c	5585	Tension (looper, right hand) Screw Stud.....	08

NO.	PLATE	NAME	EACH
10148	5585	Tension (looper, right hand) Spring.....	\$ 03
17547	5585	" " " " Thread Guide.....	25
2102	5585	" (needle thread) Disc.....	05
1560c	5585	" " " " Regulating Thumb Nut.....	04
916c	5585	Tension (needle thread) Screw Stud.....	08
10148	5585	" " " " Spring.....	03
42082	5585	" " " " Thread Guide.....	50
42083	5585	Thread (looper, left hand) Eyelet.....	40
233D	5579	" " " " " Screw.....	02
42084	5585	" " " " " Tube.....	30
462c	5544	" " " " " Set Screw.....	02
42093	5585	" (looper, right hand) Staple.....	50
190D	5540	" " " " " Screw.....	03
42127	5585	" " " " " Take-up.....	35
197F	5582	" " " " " Screw.....	02
42096	5585	" (needle) Eyelet.....	25
217F	5585	" " " " " Screw.....	03
42128	5588	" " " " " Take-up.....	50
197F	5582	" " " " " Screw.....	02
42199	5540	Throat Plate for 42289.....	1 35
742F	5587	" " " " " Screw.....	05

IRON BASE

NO.	PLATE	NAME	EACH
42086	5564	Machine Base with three wood screws 1 1/4 in. No. 12 and four each 935D, 4718 and 42088.....	\$ 2 00
4718	5586	Machine Base Cushion (felt).....	01
42088	5586	" Cushion (felt).....	02
935D	5586	" " " " Screw.....	04

ACCESSORIES

NO.	PLATE	NAME	EACH
1407E	5563	Machine Base Thumb Screw, for 3 in. table.....	\$ 30
1408E	5563	Machine Base Thumb Screw, for 2 in. table.....	25
14063	5586	Machine Base Thumb Screw Spring	10
9842	5586	" " " " " " Washer.....	02
36563	5566	Oiler (copper plated) with 36564.....	12
36564	5566	" Spout, 5 in. long.....	06
26151	5566	Screw Driver.....	10
42090	5566	Threading Wire.....	03
35095	5566	Tweezers, 6 in.....	40
42089	5566	Wrench for 1324, 1374 and 1629.....	10
8908	5566	" " 1520 and 1655.....	08
4822	5566	" " 1547.....	05

FOOT LIFTER PARTS

NO.	PLATE	NAME	EACH
6439	—	Chain, 36 in. to 45 in.....	\$ 20
NOTE. When ordering No. 6439 give length required.			
4879	5566	Chain Connecting Link.....	03
42130	5586	Lifting Lever.....	75
42131	5586	" " Bracket.....	40
1229c	5586	" " " " Screw.....	04
1301d	5586	" " " " Hinge Screw.....	12
42132	5586	" " " " Spring.....	03
1148F	5586	" " " " Stop Screw.....	05
1547D	5584	" " " " " Nut.....	03
4881	5564	Treadle.....	30
4882	5566	" Shaft.....	05

FOOT LIFTER PARTS

NO.	PLATE	NAME	EACH
4883	5566	Treadle Spring.....	\$ 10
4884	5564	" Stand.....	25
4885	5564	Treadle complete, Nos. 4879, 4881 to 4884 and two wood screws 1 in. No. 16.....	75
42133	—	Foot Lifter complete, Nos. 1301D, 4885, 6439, 42130 to 42132 and two each 1148F, 1229c and 1547D.....	2 50

KNEE LIFTER PARTS

NO.	PLATE	NAME	EACH
42130	5586	Lifting Lever.....	\$ 75
42131	5586	" " Bracket.....	40
1229c	5586	" " " Screw.....	04
42142	5564	" " Connecting Rod.....	05
1301D	5586	" " Hinge Screw.....	12
42132	5586	" " Spring.....	03
1148F	5586	" " Stop Screw.....	05
1547D	5584	" " " Nut.....	03
2763	5564	Rock Shaft.....	10
12242	5564	" " Hanger with two wood screws 1 in. No. 10.....	08
2765	5564	Rock Shaft Knee Arm.....	10
2766	5564	" " " " Hub with 356c....	15
356c	5587	" " " " " Set Screw....	06
2768	—	Rock Shaft Knee Arm complete, Nos. 2765 to 2767.....	40
2767	5564	Rock Shaft Knee Plate with 356c.....	18
356c	5587	" " " " " Set Screw.....	06
6337	5564	" " Lifting Bracket with two 356c	20
7125	5564	" " " " " Hook.....	15
356c	5587	" " " " " S e t Screw.....	06
356c	5587	Rock Shaft Lifting Bracket Set Screw...	06
2770	5564	" " Stop Dog with 356c.....	12
356c	5587	" " " " " Set Screw.....	06
42143	5564	Rock Shaft complete, Nos. 2763, 2768, 6337, 7125 and two each 2770 and 12242	1 25
42144	—	Knee Lifter complete, Nos. 1301D, 42130 to 42132, 42142, 42143 and two each 1148F, 1229c and 1547D.....	2 75

SPOOL HOLDER

NO.	PLATE	NAME	EACH
41393	5570	Spool Holder Bracket with two 1143c....	\$ 1 00
41394	5570	" " Shaft.....	25
41395	5570	" " " Centre Stud.....	10
1143c	2641	" " " " " Set Screw	03
8064	—	" " " Cone.....	07
41396	5570	" " " " 8064 with 193c.	10
193c	5587	" " " " " Set Screw.....	03
41397	5570	Spool Holder complete, Nos. 41393, 41394 and two each 41395, 41396 and wood screws 1¼ in. No. 12.....	1 75

THREAD UNWINDER

FOR THREE LARGE SPOOLS OR THREE LARGE CONES OF THREAD

NO.	PLATE	NAME	EACH
27623	5571	Spool Pin.....	\$ 08
155c	5587	" " Set Screw.....	03
41434	5571	" Rest.....	40
41435	—	" " 41434 with 1149c and three each 155c and 27623.....	75
1149c	5587	Spool Rest Set Screw.....	04
27940	5571	" Stand with 453c.....	20
41514	5571	" Weight, 4 in. diam., with 41515....	15
41515	5586	" " Centre Pin.....	05
27739	5571	Thread Cone (wood).....	05
41632	5571	" Guard with 208E and three 41569	40
41569	5586	" " Eyelet.....	02
41637	5571	" " Rod (lower).....	10
41638	5571	" " " (upper).....	15
41639	5571	" " " Coupling with two 456c.....	20
456c	5587	Thread Guard Rod Coupling Set Screw...	02
41640	—	Thread Guard Rod complete, 30 in. long, Nos. 41637 to 41639.....	45
453c	5578	Thread Guard Rod Set Screw.....	02
208E	5587	" " Screw.....	02
41438	5571	Thread Unwinder complete, Nos. 27940, 41435, 41632, 41640 and three each 27739, 41514 and wood screws 1 in. No. 12.....	2 30

UNDER DRIVER

LEVER PRESSURE, THREE SPEED, RIGHT HAND (OIL CONTROLLING PULLEY)

NO.	PLATE	NAME	EACH
27508	362	Belt Guard.....	\$ 08
649E	5587	" " Screw.....	05
27509	362	Cone Pulley (grooved) three speed, 2½ in., 3¾ in. and 5¼ in. diam., with 27473..	60
27473	1101	Cone Pulley Centre Bearing.....	08
27474	363	Dress Guard (right hand).....	08
138E	1101	" " Screw.....	05
27630	362	Driving Pulley (grooved) 6 in. diam., with 433c, 27598 and two 7958.....	60
27598	—	Driving Pulley Friction Ring (leather)...	05
7958	2642	" " " " Stop Pin...	01
27631	1101	" " " " Hollow Stud with 27600..	15
27600	1101	" " " " Position Stud	02
356c	5587	" " " " Set Screw....	06
27632	—	" " " " Wick.....	01
27633	—	" " " " Wire with 27632.....	05
433c	1101	Driving Pulley Screw Centre Bearing	08
7958	2642	" " " " " "	
		Dowel Pin.....	01
27634	362	Frame.....	60
41338	362	Lever.....	25
27483	1101	" Brake Spring.....	02
27497	1101	" " Strip (leather).....	02
12178	1101	" Centre Plug (wood).....	01
427E	1101	" " " " Adjusting Screw.....	08
1508E	1101	" " " " " " Nut...	06
27485	1101	" Hinge Pin.....	01
27635	362	Oil Cup.....	25
127E	5587	" " Screw.....	04
27070	363	Shaft Driving Pulley (sectional, grooved) 10 in. diam., 1⅞ in. bore, with two 597c	45
597c	2642	Shaft Driving Pulley Clamping Screw....	08
27636	363	Treadle.....	30
9082	1101	" Bearing Cotter Pin.....	01
27637	362	" Pitman Rod (lower).....	05
27638	1101	" " " " Spring.....	03
27639	362	" " " " (upper).....	05
9079	362	" " " " Clamp with 354c...	12
354c	1101	" " " " Screw.....	06

UNDER DRIVER

17

NO.	PLATE	NAME	EACH
27640	362	Treadle Pitman complete, Nos. 2762, 9079 and 27637 to 27639.....	\$ 35
2878	363	Treadle Stand.....	15
2762	2642	" Stop Collar with 362F.....	10
362F	2642	" " " " Set Screw.....	05
27642	—	Treadle complete, Nos. 2878, 9082, 27636 and four wood screws 1 in. No. 16....	45
27643	—	Treadle and Pitman complete, Nos. 27640 and 27642.....	80
27644	—	Transmitter complete for 27645, Nos. 138E, 356c, 427E, 649E, 1508E, 12178, 27474, 27483, 27485, 27497, 27508, 27509, 27630, 27631, 27633 to 27635, 41338, two 127E and four wood screws 1½ in. No. 16.....	3 00
27645	—	Under Driver, lever pressure, three speed, right hand (oil controlling pulley) com- plete, Nos. 27070, 27643 and 27644....	4 00

UNDER DRIVER

(BALL BEARING)

LEVER PRESSURE, TWO SPEED, RIGHT HAND

NO.	PLATE	NAME	EACH
27750	2640	Cone Pulley (grooved) two speed, 3¾ in. and 5¼ in. diam., with 878D and 12459 \$	60
25303	2641	Cone Pulley Ball, size ¼ in.	per 100 1 00
27753	2641	" " " " Bearing Adjusting Ring	15
1143c	2641	" " " " " " " " " "	
		Set Screw.....	03
27795	2641	Cone Pulley Ball Bearing Adjusting Ring Set Screw Washer.....	per 100 25
878D	2641	Cone Pulley Oil Hole Stop Screw.....	06
12459	2641	" " " " " " " " Washer (leather).....	per 100 50
27755	2640	Dress Guard (right hand).....	10
348E	2642	" " Screw.....	06
2718	2642	" " " " Washer.....	01
27756	2640	Driving Pulley (grooved) 6 in. diam., with 315c, 7958 and 27598.....	60
27598	—	Driving Pulley Friction Ring (leather)...	05
7958	2642	" " " " Stop Pin...	01
315c	2642	" " Set Screw.....	04
27757	2641	" " Shaft.....	60
25303	2641	" " " " Ball, size ¼ in., per 100.....	1 00

From the library of: Diamond Needle Corp

UNDER DRIVER

NO.	PLATE	NAME	EACH
27751	2641	Driving Pulley Shaft Ball Bearing Collar	\$ 25
27752	2641	" " " " " "	
		Pin.....	04
27758	2641	Driving Pulley Shaft Ball Safety Washer.	01
27759	2641	" " " Screw Bearing Ball Case (left).....	20
27760	—	Driving Pulley Shaft Screw Bearing Ball Case (left) complete, Nos. 27758, 27759, 27761 to 27763 and twelve 25303.....	50
27761	2641	Driving Pulley Shaft Screw Bearing Ball Case (left) Friction Stud.....	10
25303	2641	Driving Pulley Shaft Screw Bearing Ball Case (left) Friction Stud Ball, size 1/4 in., per 100.....	1 00
27762	2641	Driving Pulley Shaft Screw Bearing Ball Case (left) Friction Stud Ball Plate....	05
27763	2641	Driving Pulley Shaft Screw Bearing Ball Case (left) Friction Stud Ball Plate Washer.....	01
27754	2641	Driving Pulley Shaft Screw Bearing Ball Case (left) Friction Stud Extension Pin.....	02
1122c	2641	Driving Pulley Shaft Screw Bearing Ball Case (left) Set Screw.....	03
27764	2641	Driving Pulley Shaft Screw Bearing Ball Case (right).....	20
27765	—	Driving Pulley Shaft Screw Bearing Ball Case (right) complete, Nos. 27758, 27764 and eight 25303.....	30
1122c	2641	Driving Pulley Shaft Screw Bearing Ball Case (right) Set Screw.....	03
27766	2640	Frame with two 1122c.....	75
27767	2640	Lever with 27768 and two 27878.....	35
1093c	2642	" Adjusting Screw.....	10
1513E	2642	" " " Nut.....	05
27768	2642	" Brake (leather, two pieces).....	03
27878	2642	" " Rivet.....	01
1092E	2642	" Hinge Screw.....	20
1507E	2642	" " " Nut.....	05
27769	2642	" Spring.....	10
27070	363	Shaft Driving Pulley (sectional, grooved) 10 in. diam., 1 1/8 in. bore, with two 597c	45
597c	2642	Shaft Driving Pulley Clamping Screw....	08
27636	363	Treadle.....	30
9082	1101	" Bearing Cotter Pin.....	01
27637	362	" Pitman Rod (lower).....	05
27638	1101	" " " " Spring.....	03

UNDER DRIVER

NO.	PLATE	NAME	EACH
27639	362	Treadle Pitman Rod (upper).....	\$ 05
9079	362	" " " Clamp with 354c....	12
354c	1101	" " " " Screw.....	06
27640	362	Treadle Pitman complete, Nos. 2762, 9079 and 27637 to 27639.....	35
2878	363	Treadle Stand.....	15
2762	2642	" Stop Collar with 362F.....	10
362F	2642	" " " Set Screw.....	05
27642	—	Treadle complete, Nos. 2878, 9082, 27636 and four wood screws 1 in. No. 16....	45
27643	—	Treadle and Pitman complete, Nos. 27640 and 27642.....	80
27770	—	Transmitter complete, Nos. 348E, 1092E, 1093c, 1507E, 1513E, 2718, 27750 to 27752, 27754 to 27757, 27760, 27765 to 27767, 27769, two each 1143c, 27753, 27795, three wood screws 2 in. No. 16 and twenty-two 25303.....	3 00
27771	—	Under Driver (ball bearing) lever pressure, two speed, right hand, complete, Nos. 27070, 27643 and 27770.....	4 00

OBSOLETE PARTS

NO.	PLATE	NAME	EACH
42191	5540	Feed Dog.....	\$ 75
42091	5584	Looper (right hand) use 42166.....	2 25
42092	5585	Thread (looper, right hand) Eyelet, use 42127.....	45

NUMERICAL LIST OF PARTS

NO.	PLATE	NAME	EACH
85D	5584	Presser Lever Lifter Hinge Screw.....	\$ 05
93H	5544	Needle Bar Thread Retainer Screw.....	04
127E	5587	Under Driver Oil Cup Screw for 27644...	04
138E	1101	" " Dress Guard Screw for 27644.....	05
155c	5587	Thread Unwinder Spool Pin Set Screw for 41435.....	03
157E	5578	Feed Rock Shaft Crank Clamping Screw for 42021.....	04
171F	5544	Looper (right hand) and Spreader Lever Connection Guide Screw.....	03
171F	5544	Needle Bar Connecting Rod Guide Screw	03
171F	5544	" Guard Screw.....	03
187D	5544	" Bar Connecting Bracket Clamping Screw for 42061.....	02
190D	5540	Feed Dog Screw.....	03
190D	5540	Thread (looper, right hand) Staple Screw.	03
193c	5587	Spool Holder Shaft Cone Set Screw for 41396.....	03
197D	5582	Looper (right hand) Screw.....	02
197D	5582	Spreader Screw.....	02
197F	5582	Thread (looper, right hand) Take-up Screw	02
197F	5582	" (needle) Take-up Screw.....	02
207F	5587	Feed Eccentric Cover Screw.....	02
208E	5587	Thread Unwinder Thread Guard Screw for 41632.....	02
209H	5579	Looper (left hand) Set Screw for 42051...	02
217F	5585	Guide Screw.....	03
217F	5585	Thread (needle) Eyelet Screw.....	03
223F	5544	Needle Bar Connecting Link Hinge Pin Set Screw for 42061.....	02
228D	5544	Needle Bar Thread Retainer Bracket Screw.....	02
229D	5587	Cloth Plate Extension (lower) Screw for 42107.....	02
229D	5587	Cloth Plate Extension (upper) Screw for 42107.....	02
233D	5579	Feed Regulator Stop Screw for 42014....	02
233D	5579	Thread (looper, left hand) Eyelet Screw.	02
236D	5587	Cloth Plate Lock Spring Screw for 42107.	02
283D	5582	Feed Eccentric Cover Holder Thumb Screw.....	10

From the library of: Diamond Needle Corp

NUMERICAL LIST OF PARTS

NO.	PLATE	NAME	EACH
315c	2642	Under Driver Driving Pulley Set Screw for 27756.....	04
330d	5587	Frame Side Cover (right) Lock Spring Screw	02
330d	5587	" " " (left) Screw.....	02
330d	5587	" " " (right) Screw.....	02
348E	2642	Under Driver Dress Guard Screw for 27770.....	06
354c	1101	Under Driver Treadle Pitman Rod Clamp Screw for 9079.....	06
356c	5587	Rock Shaft Knee Arm Hub Set Screw for 2766.....	06
356c	5587	Rock Shaft Knee Plate Set Screw for 2767	06
356c	5587	" " Lifting Bracket Hook Set Screw for 6337.....	06
356c	5587	Rock Shaft Lifting Bracket Set Screw for 6337.....	06
356c	5587	Rock Shaft Stop Dog Set Screw for 2770.	06
356c	5587	Under Driver Driving Pulley Hollow Stud Set Screw for 27644.....	06
362F	2642	Under Driver Treadle Stop Collar Set Screw for 2762.....	05
378c	5579	Looper (left hand) Lever Connecting Link Hinge Screw.....	10
424c	5587	Balance Wheel Set Screw for 42001.....	05
427E	1101	Under Driver Lever Centre Plug Adjusting Screw for 27644.....	08
433c	1101	Under Driver Driving Pulley Screw Centre Bearing for 27630.....	08
453c	5578	Feed Eccentric Set Screw for 42011.....	02
453c	5578	Thread Unwinder Thread Guard Rod Set Screw for 27940.....	02
456c	5587	Thread Unwinder Thread Guard Rod Coupling Set Screw for 41639.....	02
462c	5544	Feed Lifting Eccentric Set Screw for 42012	02
462c	5544	Needle Bar Bushing Set Screw for 42251.	02
462c	5544	Thread (looper, left hand) Tube Set Screw	02
464c	5587	Presser Foot Spring Adjusting Pin Set Screw for 42198.....	02
597c	2642	Under Driver Shaft Driving Pulley Clamping Screw for 27070.....	08
649E	5587	Under Driver Belt Guard Screw for 27644	05
742F	5587	Frame Top Cover Screw.....	05
742F	5587	Throat Plate Screw.....	05
828c	5585	Tension (looper, left hand) Screw Stud..	08
828c	5585	" (looper, right hand) Screw Stud.	08

NUMERICAL LIST OF PARTS

NO.	PLATE	NAME	EACH
878d	2641	Under Driver Cone Pulley Oil Hole Stop Screw for 27750.....	06
904c	5544	Needle Bar Connecting Link Hinge Pin Set Screw for 42104.....	02
916c	5585	Tension (needle thread) Screw Stud.....	08
935d	5586	Machine Cushion Screw for 42086.....	04
949E	5587	Arm Screw.....	06
1012E	5578	Feed Regulator Connection Adjusting Screw for 42015.....	05
1036c	5579	Feed Rock Shaft Hinge Pin Bushing Set Screw.....	03
1036c	5579	Frame Rotary Shaft Bushing (front) Set Screw.....	03
1036c	5579	Frame Rotary Shaft Flanged Bushing (back) Set Screw.....	03
1036c	5579	Looper (left hand) Lever Hinge Stud Set Screw.....	03
1057E	5578	Feed Connecting Rod Cap Screw for 42008.....	04
1057E	5578	Looper (right hand) and Spreader Lever Connection Cap (lower) Screw for 42075	04
1057E	5578	Looper (right hand) and Spreader Lever Connection Cap (upper) Screw for 42075.....	04
1057E	5578	Needle Bar Connecting Rod Cap (lower) Screw for 42057.....	04
1057E	5578	Needle Bar Connecting Rod Cap (upper) Screw for 42057.....	04
1092E	2642	Under Driver Lever Hinge Screw for 27770.....	20
1093c	2642	Under Driver Lever Adjusting Screw for 27770.....	10
1101c	5587	Needle Guard Holder Screw.....	10
1120c	5582	Presser Lever Hinge Stud Set Screw....	03
1122c	2641	Under Driver Driving Pulley Shaft Screw Bearing Ball Case (left) Set Screw for 27766.....	03
1122c	2641	Under Driver Driving Pulley Shaft Screw Bearing Ball Case (right) Set Screw for 27766.....	03
1143c	2641	Spool Holder Shaft Centre Stud Set Screw for 41393.....	03
1143c	2641	Under Driver Cone Pulley Ball Bearing Adjusting Ring Set Screw for 27770...	03
1148F	5586	Lifting Lever Stop Screw for 42133 and 42144.....	05

NUMERICAL LIST OF PARTS

NO.	PLATE	NAME	EACH
1149c	5587	Thread Unwinder Spool Rest Set Screw for 41435.....	\$ 04
1229c	5586	Lifting Lever Bracket Screw for 42133 and 42144.....	04
1253c	5587	Feed Bar Hinge Pin Set Screw for 42205.	03
1258c	5544	Needle Bar Crank (back) Set Screw for 42103.....	02
1258c	5544	Needle Bar Crank (front) Set Screw for 42104.....	02
1259c	5579	Feed Regulator Set Screw for 42014.....	03
1259c	5579	Frame Rotary Shaft Crank Set Screw for 42025.....	03
1259c	5579	Looper (right hand) and Spreader Lever Ball Stud Set Screw for 42073.....	03
1259c	5579	Looper (right hand) and Spreader Lever Hinge Pin Bushing Set Screw.....	03
1259c	5579	Needle Bar Crank (back) Ball Stud Set Screw for 42103.....	03
1259c	5579	Needle Bar Crank (back) Position Screw for 42103.....	03
1259c	5579	Needle Bar Crank (front) Position Screw for 42104.....	03
1301D	5586	Lifting Lever Hinge Screw for 42133 and 42144.....	12
1324c	5587	Presser Foot Screw.....	05
1354c	5587	Balance Wheel Position Screw for 42001.	04
1373c	5578	Feed Connecting Rod Hinge Screw.....	10
1373c	5578	" Regulator Connection Hinge Screw.	10
1374c	5578	" Regulating Screw Stud.....	15
1375c	5579	Frame Rotary Shaft Crank Position Screw for 42025.....	03
1377c	5584	Presser Lever Screw Stud (eccentric).....	10
1378D	5584	Pressure Regulating Thumb Screw.....	10
1407E	5563	Machine Base Thumb Screw, for 3 in. table (Accessories).....	30
1408E	5563	Machine Base Thumb Screw, for 2 in. table (Accessories).....	25
1437D	5587	Cloth Plate Hinge Screw.....	10
1507E	2642	Under Driver Lever Hinge Screw Nut for 27770.....	05
1508E	1101	Under Driver Lever Centre Plug Adjusting Screw Nut for 27644.....	06
1513E	2642	Under Driver Lever Adjusting Screw Nut for 27770.....	05
1520c	5578	Feed Connecting Rod Hinge Screw Nut..	03
1520c	5578	" Regulator Connection Hinge Screw Nut.....	03

NUMERICAL LIST OF PARTS

NO.	PLATE	NAME	EACH
1520c	5578	Looper (left hand) Lever Connecting Link Hinge Screw Nut.....	\$ 03
1547D	5584	Lifting Lever Stop Screw Nut for 42133 and 42144.....	03
1547D	5584	Presser Lever Screw Stud Nut.....	03
1560c	5585	Tension (looper, left hand) Regulating Thumb Nut.....	04
1560c	5585	Tension (looper, right hand) Regulating Thumb Nut.....	04
1560c	5585	Tension (needle thread) Regulating Thumb Nut.....	04
1629c	5544	Needle Clamping Nut.....	05
1655E	5587	Cloth Plate Hinge Screw Nut.....	04
1680c	5578	Feed Regulating Screw Stud Nut.....	06
2102	5585	Tension (looper, left hand) Disc.....	05
2102	5585	" (looper, right hand) Disc.....	05
2102	5585	" (needle thread) Disc.....	05
2718	2642	Under Driver Dress Guard Screw Washer for 27770.....	01
2749	5582	Feed Eccentric Cover Holder Thumb Screw Washer.....	01
2762	2642	Under Driver Treadle Stop Collar with 362F, for 27640.....	10
2763	5564	Rock Shaft for 42143.....	10
		Nos. 2765 to 2767 for 2768.	
2765	5564	Rock Shaft Knee Arm.....	10
2766	5564	" " " " Hub with 356c....	15
2767	5564	" " " " Plate with 356c.....	18
2768	—	Rock Shaft Knee Arm complete for 42143, Nos. 2675 to 2767.....	40
2770	5564	Rock Shaft Stop Dog with 356c, for 42143	12
2878	363	Under Driver Treadle Stand for 27642....	15
4389	5585	Arm Dowel Pin.....	02
4718	5586	Machine Base Cushion (felt) for 42086....	01
4822	5566	Wrench for 1547 (Accessories).....	05
4879	5566	Chain Connecting Link for 4885.....	03
		Nos. 4881 to 4884 for 4885.	
4881	5564	Treadle.....	30
4882	5566	" Shaft.....	05
4883	5566	" Spring.....	10
4884	5564	" Stand.....	25
4885	5564	Treadle complete for 42133, Nos. 4879, 4881 to 4884 and two wood screws 1 in. No. 16.....	75

NUMERICAL LIST OF PARTS

NO.	PLATE	NAME	EACH
6337	5564	Rock Shaft Lifting Bracket with two 356C, for 42143.....	\$ 20
6439	—	Chain, 36 in. to 45 in., for 42133.....	20
7071	5540	Guide Screw Washer.....	01
7125	5564	Rock Shaft Lifting Bracket Hook for 42143.....	15
7958	2642	Under Driver Driving Pulley Friction Ring Stop Pin for 27630 and 27756.....	01
7958	2642	Under Driver Driving Pulley Screw Centre Bearing Dowel Pin for 27630.....	01
8064	—	Spool Holder Shaft Cone for 41396.....	07
8908	5566	Wrench for 1520 and 1655 (Accessories).....	08
9079	362	Under Driver Treadle Pitman Rod Clamp with 354c, for 27640.....	12
9082	1101	Under Driver Treadle Bearing Cotter Pin for 27642.....	01
9320	5585	Presser Foot Hinge Pin for 42198, per 100.....	10
9842	5586	Machine Base Thumb Screw Spring Washer (Accessories).....	02
10106	5544	Needle Bar Thread Retainer Disc.....	03
10107	5544	“ “ “ “ Spring.....	01
10148	5585	Tension (looper, left hand) Spring.....	03
10148	5585	“ (looper, right hand) Spring.....	03
10148	5585	“ (needle thread) Spring.....	03
12178	1101	Under Driver Lever Centre Plug (wood) for 27644.....	01
12242	5564	Rock Shaft Hanger with two wood screws 1 in. No. 10, for 42143.....	08
12459	2641	Under Driver Cone Pulley Oil Hole Stop Screw Washer (leather) for 27750, per 100.....	50
14058	5585	Presser Foot Spring for 42198.....	02
14063	5586	Machine Base Thumb Screw Spring (Accessories).....	10
17547	5585	Tension (looper, right hand) Thread Guide.....	25
19045	5585	Frame Side Cover (left) Handle for 42193.....	05
25303	2641	Under Driver Cone Pulley Ball, size ¼ in., for 27770..... per 100	1 00
25303	2641	Under Driver Driving Pulley Shaft Ball, size ¼ in., for 27760 and 27765, per 100	1 00
25303	2641	Under Driver Driving Pulley Shaft Screw Bearing Ball Case (left) Friction Stud Ball, size ¼ in., for 27760..... per 100	1 00
26151	5566	Screw Driver (Accessories).....	10

NUMERICAL LIST OF PARTS

NO.	PLATE	NAME	EACH
27070	363	Under Driver Shaft Driving Pulley (sectional, grooved) 10 in. diam., 1 1/8 in. bore, with two 597c, for 27645 and 27771.....	\$ 45
27473	1101	Under Driver Cone Pulley Centre Bearing for 27509.....	08
27474	363	Under Driver Dress Guard (right hand) for 27644.....	08
27483	1101	Under Driver Lever Brake Spring for 27644.....	02
27485	1101	Under Driver Lever Hinge Pin for 27644.....	01
27497	1101	“ “ “ Brake Strip (leather) for 27644.....	02
27508	362	Under Driver Belt Guard for 27644.....	08
27509	362	“ “ Cone Pulley (grooved) three speed, 2 1/2 in., 3 3/4 in. and 5 1/4 in. diam., with 27473, for 27644.....	60
27598	—	Under Driver Driving Pulley Friction Ring (leather) for 27630 and 27756.....	05
27600	1101	Under Driver Driving Pulley Hollow Stud Position Stud for 27631.....	02
27623	5571	Thread Unwinder Spool Pin for 41435.....	08
27630	362	Under Driver Driving Pulley (grooved) 6 in. diam., with 433c, 27598 and two 7958, for 27644.....	60
27631	1101	Under Driver Driving Pulley Hollow Stud with 27600, for 27644.....	15
27632	—	Under Driver Driving Pulley Hollow Stud Wick for 27633.....	01
		Nos. 27633 to 27635 for 27644.	
27633	—	Under Driver Driving Pulley Hollow Stud Wick Wire with 27632.....	05
27634	362	Under Driver Frame.....	60
27635	362	“ “ Oil Cup.....	25
27636	363	“ “ Treadle for 27642.....	30
		Nos. 27637 to 27639 for 27640.	
27637	362	Under Driver Treadle Pitman Rod (lower) “ “ “ “ “ “.....	05
27638	1101	Spring.....	03
27639	362	Under Driver Treadle Pitman Rod (upper).....	05
27640	362	Under Driver Treadle Pitman complete for 27643, Nos. 2762, 9079 and 27637 to 27639.....	35
27642	—	Under Driver Treadle complete for 27643, Nos. 2878, 9082, 27636 and four wood screws 1 in. No. 16.....	45

NUMERICAL LIST OF PARTS

NO.	PLATE	NAME	EACH
27643	—	Under Driver Treadle and Pitman complete for 27645 and 27771, Nos. 27640 and 27642.....	80
27644	—	Under Driver Transmitter complete for 27645, Nos. 138E, 356c, 427E, 649E, 1508E, 12178, 27474, 27483, 27485, 27497, 27508, 27509, 27630, 27631, 27633 to 27635, 41338, two 127E and four wood screws 1½ in. No. 16.....	3 00
27645	—	Under Driver, lever pressure, three speed, right hand (oil controlling pulley) complete, Nos. 27070, 27643 and 27644.....	4 00
27739	5571	Thread Unwinder Thread Cone (wood) for 41438.....	05
Nos. 27750 to 27757 FOR 27770.			
27750	2640	Under Driver Cone Pulley (grooved) two speed, 3¾ in. and 5¼ in. diam., with 878D and 12459.....	60
27751	2641	Under Driver Driving Pulley Shaft Ball Bearing Collar.....	25
27752	2641	Under Driver Driving Pulley Shaft Ball Bearing Collar Pin.....	04
27753	2641	Under Driver Cone Pulley Ball Bearing Adjusting Ring.....	15
27754	2641	Under Driver Driving Pulley Shaft Screw Bearing Ball Case (left) Friction Stud Extension Pin.....	02
27755	2640	Under Driver Dress Guard (right hand).....	10
27756	2640	“ “ Driving Pulley (grooved) 6 in. diam., with 315c, 7958 and 27598.....	60
27757	2641	Under Driver Driving Pulley Shaft.....	60
27758	2641	“ “ “ “ “ Ball Safety Washer for 27760 and 27765.....	01
27759	2641	Under Driver Driving Pulley Shaft Screw Bearing Ball Case (left) for 27760.....	20
27760	—	Under Driver Driving Pulley Shaft Screw Bearing Ball Case (left) complete for 27770, Nos. 27758, 27759, 27761 to 27763 and twelve 25303.....	50
Nos. 27761 to 27763 FOR 27760.			
27761	2641	Under Driver Driving Pulley Shaft Screw Bearing Ball Case (left) Friction Stud.....	10
27762	2641	Under Driver Driving Pulley Shaft Screw Bearing Ball Case (left) Friction Stud Ball Plate.....	05

NUMERICAL LIST OF PARTS

NO.	PLATE	NAME	EACH
27763	2641	Under Driver Driving Pulley Shaft Screw Bearing Ball Case (left) Friction Stud Ball Plate Washer.....	01
27764	2641	Under Driver Driving Pulley Shaft Screw Bearing Ball Case (right) for 27765.....	20
Nos. 27765 to 27767 FOR 27770.			
27765	—	Under Driver Driving Pulley Shaft Screw Bearing Ball Case (right) complete, Nos. 27758, 27764 and eight 25303.....	30
27766	2640	Under Driver Frame with two 1122c.....	75
27767	2640	“ “ Lever with 27768 and two 27878.....	35
27768	2642	Under Driver Lever Brake (leather, two pieces) for 27767.....	03
27769	2642	Under Driver Lever Spring for 27770.....	10
27770	—	Under Driver Transmitter complete for 27771, Nos. 348E, 1092E, 1093c, 1507E, 1513E, 2718, 27750 to 27752, 27754 to 27757, 27760, 27765 to 27767, 27769, two each 1143c, 27753, 27795, three wood screws 2 in. No. 16 and twenty-two 25303.....	3 00
27771	—	Under Driver (ball bearing) lever pressure, two speed, right hand, complete, Nos. 27070, 27643 and 27770.....	4 00
27795	2641	Under Driver Cone Pulley Ball Bearing Adjusting Ring Set Screw Washer for 27770.....per 100	25
27878	2642	Under Driver Lever Brake Rivet for 27767	01
27940	5571	Thread Unwinder Spool Stand with 453c, for 41438.....	20
29599	5584	Looper (right hand) and Spreader Lever Connection Oil Tube Packing (felt) for 42106.....per 100	25
35095	5566	Tweezers, 6 in. (Accessories).....	40
36563	5566	Oiler (copper plated) with 36564 (Accessories).....	12
36564	5566	Oiler Spout, 5 in. long, for 36563.....	06
39541	5586	Presser Foot Screw Washer.....	05
40247	5544	Needle Bar Connecting Link Hinge Pin..	05
41338	362	Under Driver Lever for 27644.....	25
Nos. 41393 to 41396 FOR 41397.			
41393	5570	Spool Holder Bracket with two 1143c.....	1 00
41394	5570	“ “ Shaft.....	25
41395	5570	“ “ “ Centre Stud.....	10

NUMERICAL LIST OF PARTS

NO.	PLATE	NAME	EACH
41396	5570	Spool Holder Shaft Cone 8064 with 193c.	10
41397	5570	Spool Holder complete, Nos. 41393, 41394 and two each 41395, 41396 and wood screws 1¼ in. No. 12.	1 75
41434	5571	Thread Unwinder Spool Rest for 41435.	40
41435	—	“ “ “ “ 41434 with 1149c and three each 155c and 27623, for 41438.	75
41438	5571	Thread Unwinder complete, for three large spools or three large cones of thread, Nos. 27940, 41435, 41632, 41640 and three each 27739, 41514 and wood screws 1 in. No. 12.	2 30
41514	5571	Thread Unwinder Spool Weight, 4 in. diam., with 41515, for 41438.	15
41515	5586	Thread Unwinder Spool Weight Centre Pin for 41514.	05
41569	5586	Thread Unwinder Thread Guard Eyelet for 41632.	02
41632	5571	Thread Unwinder Thread Guard with 208E and three 41569, for 41438.	40
		Nos. 41637 to 41639 for 41640.	
41637	5571	Thread Unwinder Thread Guard Rod (lower).	10
41638	5571	Thread Unwinder Thread Guard Rod (upper).	15
41639	5571	Thread Unwinder Thread Guard Rod Coupling with two 456c.	20
41640	—	Thread Unwinder Thread Guard Rod complete, 30 in. long, for 41438, Nos. 41637 to 41639.	45
42001	5576	Balance Wheel with 424c and 1354c.	1 00
42002	5526	Cloth Plate for 42107.	3 00
42003	5526	“ “ Extension (lower) for 42107.	3 00
42005	5526	“ “ Lock Spring for 42107.	15
42007	5578	Feed Bar Hinge Pin.	15
42008	5578	“ Connecting Rod with 42009 and two 1057E.	60
*42009	—	Feed Connecting Rod Cap for 42008.	—
42011	5578	“ Eccentric with two 453c.	1 00
42012	5578	“ Lifting Eccentric with two 462c.	1 50
42013	5578	“ “ “ Connection.	1 00
42014	5579	“ Regulator with 233D and two 1259c.	1 25
42015	5578	“ “ “ Connection with 1012E.	1 00
42016	5579	“ “ Hinge Stud.	60
42019	5588	“ Rock Shaft for 42020.	50

NUMERICAL LIST OF PARTS

NO.	PLATE	NAME	EACH
42020	—	Feed Rock Shaft complete, Nos. 42019 and 42021.	\$ 85
42021	5578	Feed Rock Shaft Crank with 157E, for 42020.	35
*42022	—	Frame.	12 00
42023	5576	“ Rotary Shaft.	2 00
42024	5576	“ “ “ Bushing (front).	35
42025	5579	“ “ “ Crank with 1259c and 1375c.	2 00
42026	5576	Frame Rotary Shaft Flanged Bushing (back).	60
42028	5526	Frame Side Cover (right) hinged.	40
42029	5576	“ Top Cover.	2 50
42045	5582	Presser Lever Hinge Stud.	50
42051	5579	Looper (left hand) Lever with 209H.	3 00
42052	5579	“ “ “ “ Connecting Link.	75
42053	5579	“ “ “ “ Hinge Stud.	1 25
42054	5544	Needle Bar.	75
42055	5544	“ “ Connecting Link.	1 25
42057	5544	“ “ “ Rod with 42059, 42076 and four 1057E.	1 50
*42059	—	Looper (right hand) and Spreader Lever Connection Cap (upper) for 42075.	35
*42059	—	Needle Bar Connecting Rod Cap (upper) for 42057.	35
42061	5544	Needle Bar Connecting Bracket with 187D and 223F.	1 00
42066	5544	Needle Guard.	40
42069	5576	Presser Lever.	2 50
42070	5584	“ “ Lifter.	20
42071	5584	“ “ Spring.	05
42072	5584	Spreader.	2 50
42073	5582	Looper (right hand) and Spreader Lever with 1259c.	3 50
42074	5582	Looper (right hand) and Spreader Lever Ball Stud.	75
42074	5582	Needle Bar Crank (back) Ball Stud.	75
42075	5582	Looper (right hand) and Spreader Lever Connection with 42059, 42076 and four 1057E.	1 50
*42076	—	Looper (right hand) and Spreader Lever Connection Cap (lower) for 42075.	35
*42076	—	Needle Bar Connecting Rod Cap (lower) for 42057.	35
42077	5584	Looper (right hand) and Spreader Lever Connection Guide.	75

NUMERICAL LIST OF PARTS

NO.	PLATE	NAME	EACH
42077	5584	Needle Bar Connecting Rod Guide.....	\$ 75
42078	5584	Looper (right hand) and Spreader Lever Hinge Pin.....	25
42079	5579	Feed Rock Shaft Hinge Pin Bushing....	50
42079	5579	Looper (right hand) and Spreader Lever Hinge Pin Bushing.....	50
42082	5585	Tension (needle thread) Thread Guide...	50
42083	5585	Thread (looper, left hand) Eyelet.....	40
42084	5585	" " " " Tube.....	30
42086	5564	Machine Base with three wood screws 1 1/4 in. No. 12 and four each 935d, 4718 and 42088.....	2 00
42088	5586	Machine Cushion (felt) for 42086.....	02
42089	5566	Wrench for 1324, 1374 and 1629 (Ac- cessories).....	10
42090	5566	Threading Wire (Accessories).....	03
42091	5584	Looper (right hand) obsolete, use 42166..	2 25
42092	5585	Thread (looper, right hand) Eyelet, obsolete, use 42127.....	45
42093	5585	Thread (looper, right hand) Staple.....	50
42094	5526	Feed Eccentric Cover.....	25
42096	5585	Thread (needle) Eyelet.....	25
42098	5579	Feed Rock Shaft Hinge Pin.....	25
42102	5582	" Eccentric Cover Holder.....	2 00
42103	5544	Needle Bar Crank (back) with 1258c and two 1259c.....	75
42104	5544	Needle Bar Crank (front) with 904c, 1258c and 1259c.....	75
42105	5544	Needle Bar Crank Shaft.....	50
42106	5584	Looper (right hand) and Spreader Lever Connection Oil Tube and Bracket with 29599.....	50
42107	—	Cloth Plate complete, Nos. 42002, 42003, 42005, 42108, two 236d and five 229d..	6 50
42108	5526	Cloth Plate Extension (upper) for 42107..	20
42114	5582	Looper (left hand).....	2 00
42115	5544	Needle Bar Thread Retainer Bracket....	75
42127	5585	Thread (looper, right hand) Take-up....	35
42128	5588	" (needle) Take-up.....	50
Nos. 42130 TO 42132 FOR 42133 AND 42144.			
42130	5586	Lifting Lever.....	75
42131	5586	" " Bracket.....	40
42132	5586	" " Spring.....	03
42133	—	Foot Lifter complete, Nos. 1301b, 4885, 6439, 42130 to 42132 and two each 1148f, 1229c and 1547d.....	2 50

NUMERICAL LIST OF PARTS

NO.	PLATE	NAME	EACH
42142	5564	Lifting Lever Connecting Rod for 42144. \$	05
42143	5564	Rock Shaft complete for 42144, Nos. 2763, 2768, 6337, 7125 and two each 2770 and 12242.....	1 25
42144	—	Knee Lifter complete, Nos. 1301b, 42130 to 42132, 42142, 42143 and two each 1148f, 1229c and 1547d.....	2 75
42160	5585	Presser Foot Spring Adjusting Pin for 42198.....	05
42166	5582	Looper (right hand).....	2 25
42191	5540	Feed Dog, obsolete.....	75
42192	5540	Frame Side Cover (right) Lock Spring...	25
42193	5588	" " " (left) with 19045.....	25
42194	5540	Guide.....	1 25
42195	5588	Needle Guard Holder.....	3 00
42196	—	Presser Foot Body for 42198.....	3 50
42197	—	" " Plate for 42198.....	2 00
42198	5540	Presser Foot (spring hinged) complete, Nos. 464c, 9320, 14058, 42160, 42196 and 42197.....	4 65
42199	5540	Throat Plate for 42289.....	1 35
42205	5588	Feed Bar with 1253c.....	2 50
*42251	—	Arm with two each 462c and 42253.....	12 00
42253	5544	Needle Bar Bushing for 42251.....	25
42289	5540	Feed Dog.....	75
42290	5578	" Regulating Screw Stud Washer....	05
42365	5585	Frame Rotary Shaft Flanged Bushing (back) Oil Pad (braided cotton) long..	01
42366	5585	Frame Rotary Shaft Flanged Bushing (back) Oil Pad (braided cotton) short..	01
42367	5585	Frame Rotary Shaft Front Bearing Oil Pad (braided cotton).....	01

From the library of: Diamond Needle Corp

PLATE 362—ONE-FOURTH SIZE

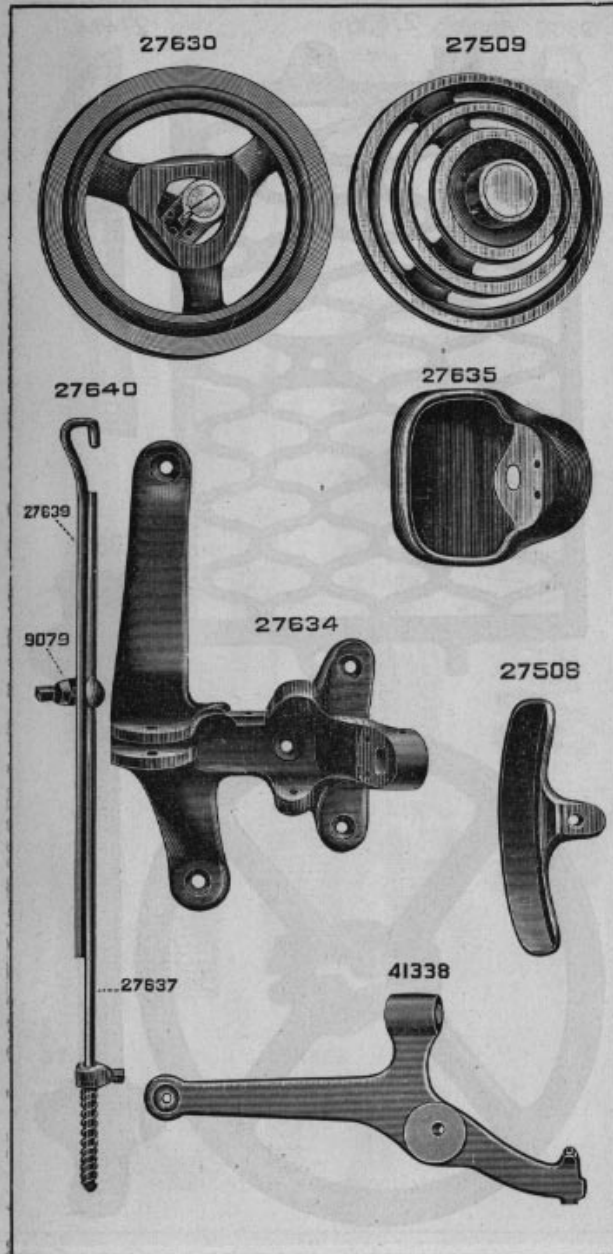


PLATE 363—ONE-FOURTH SIZE

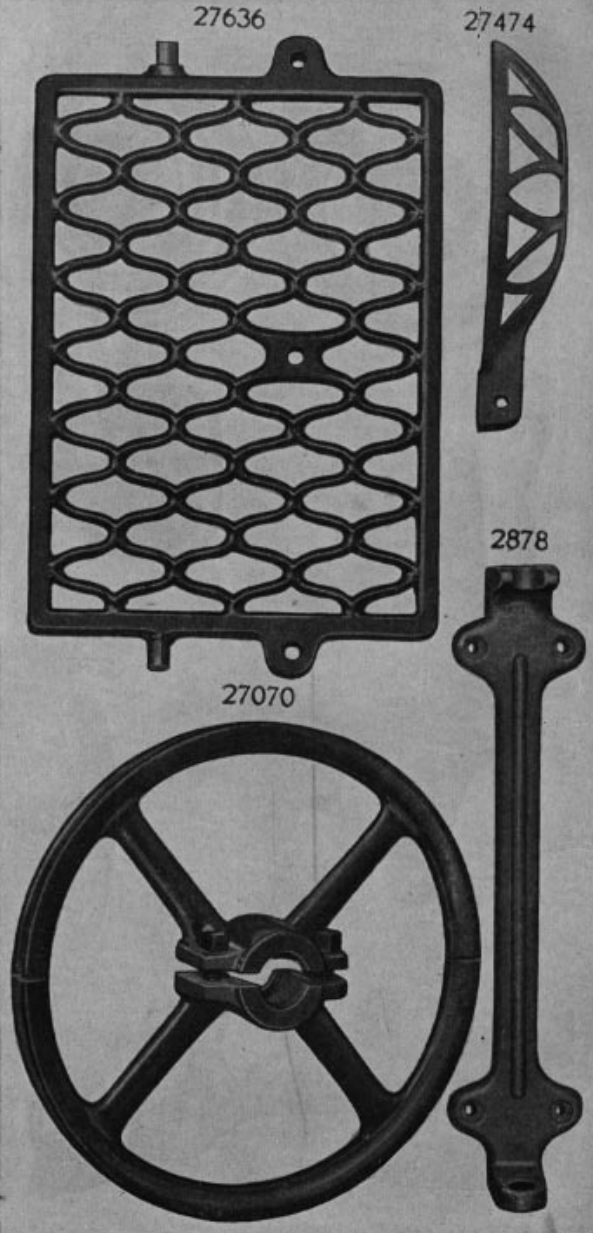
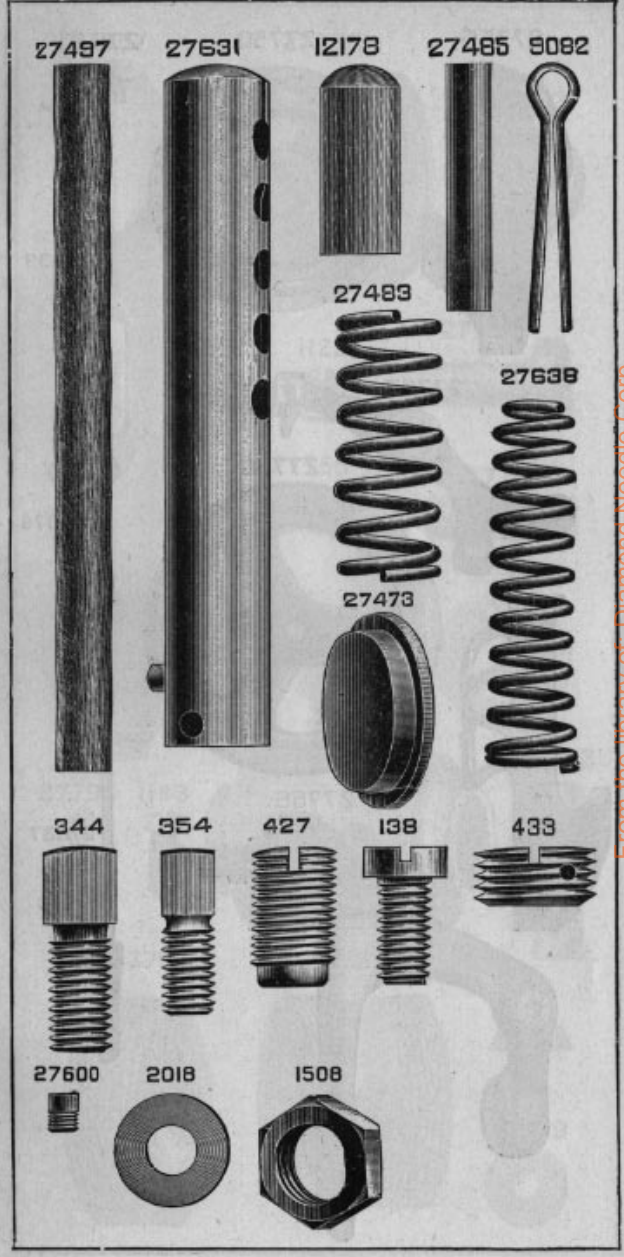


PLATE 1101—FULL SIZE



From the library of: Diamond Needle Corp

PLATE 2640—ONE-FOURTH SIZE

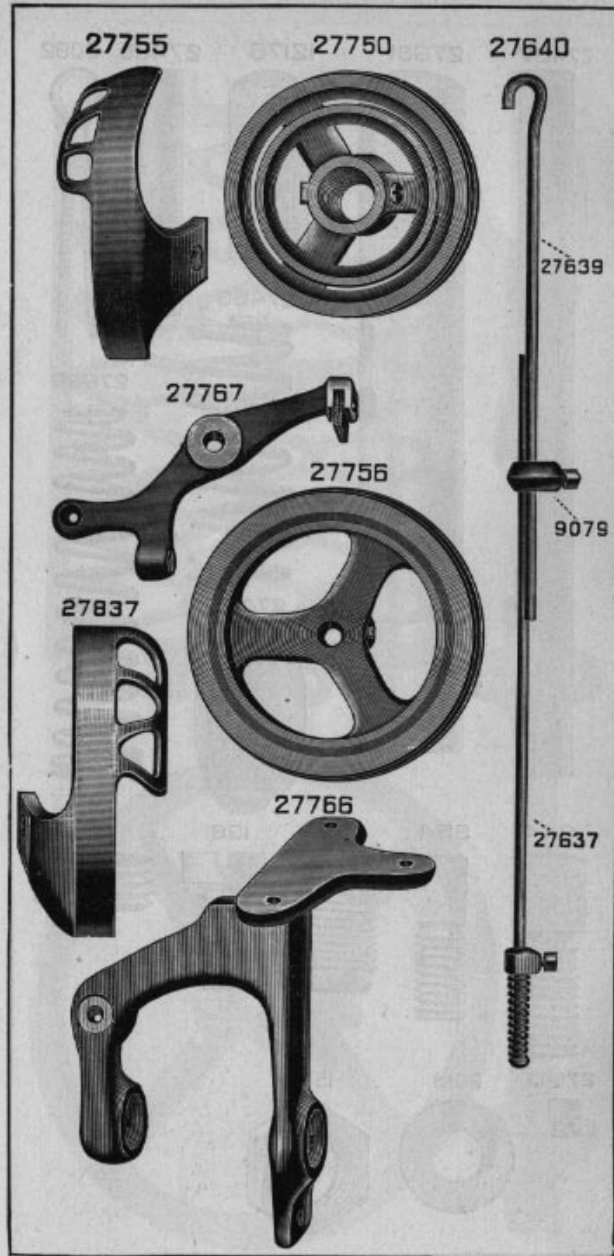


PLATE 2641—FULL SIZE

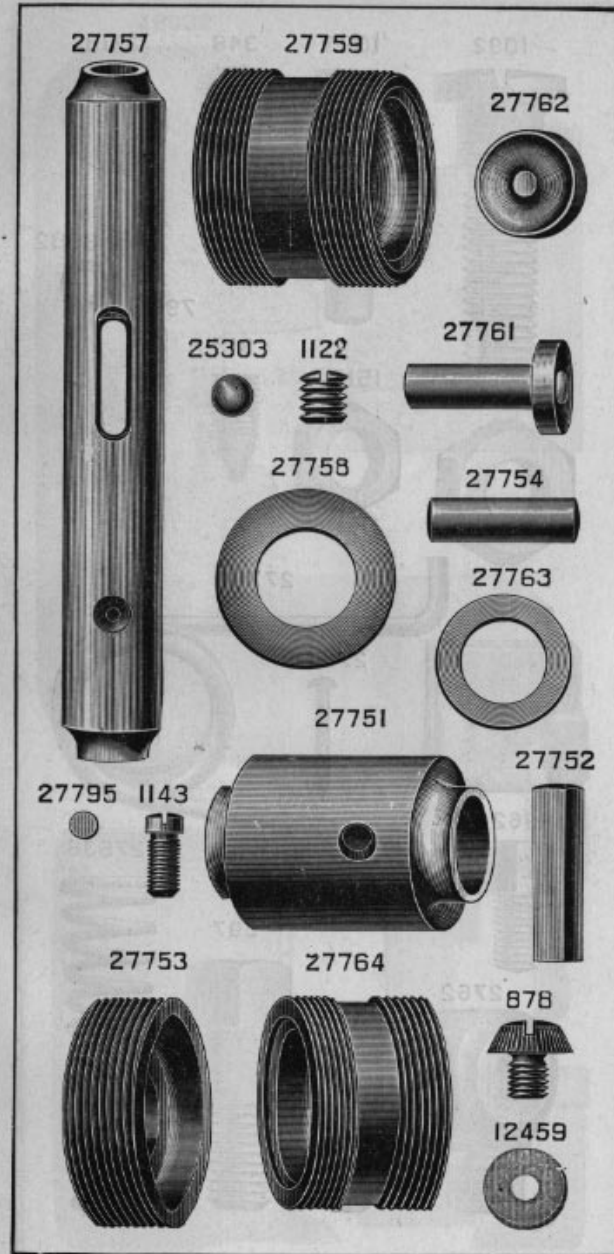


PLATE 2642—FULL SIZE

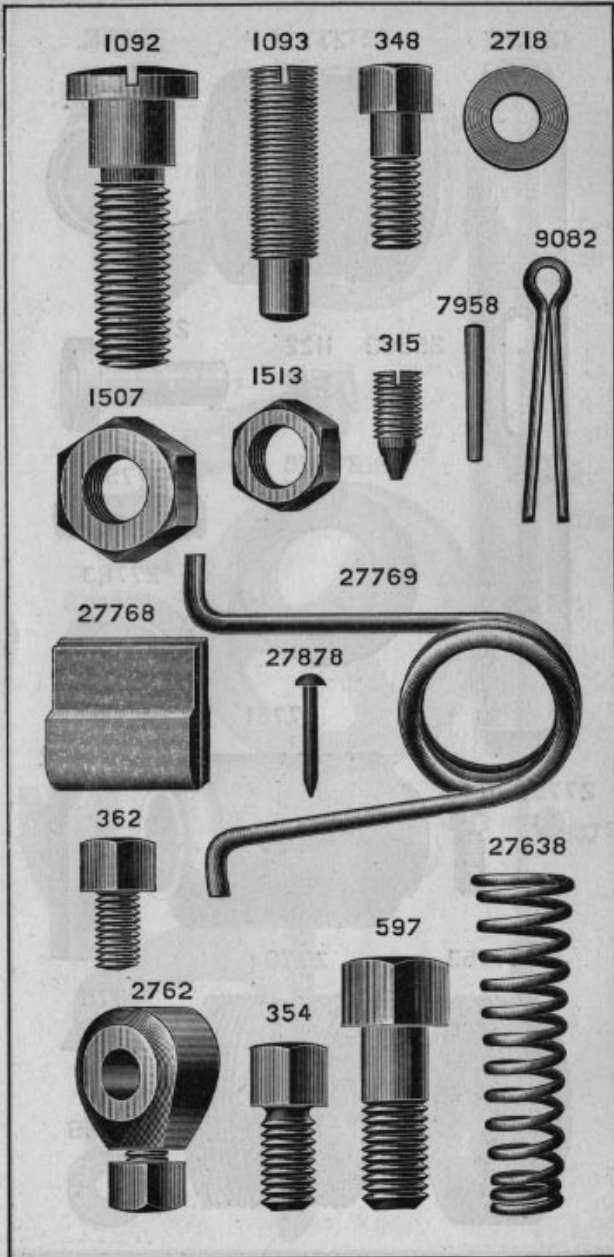


PLATE 5526—ONE-HALF SIZE

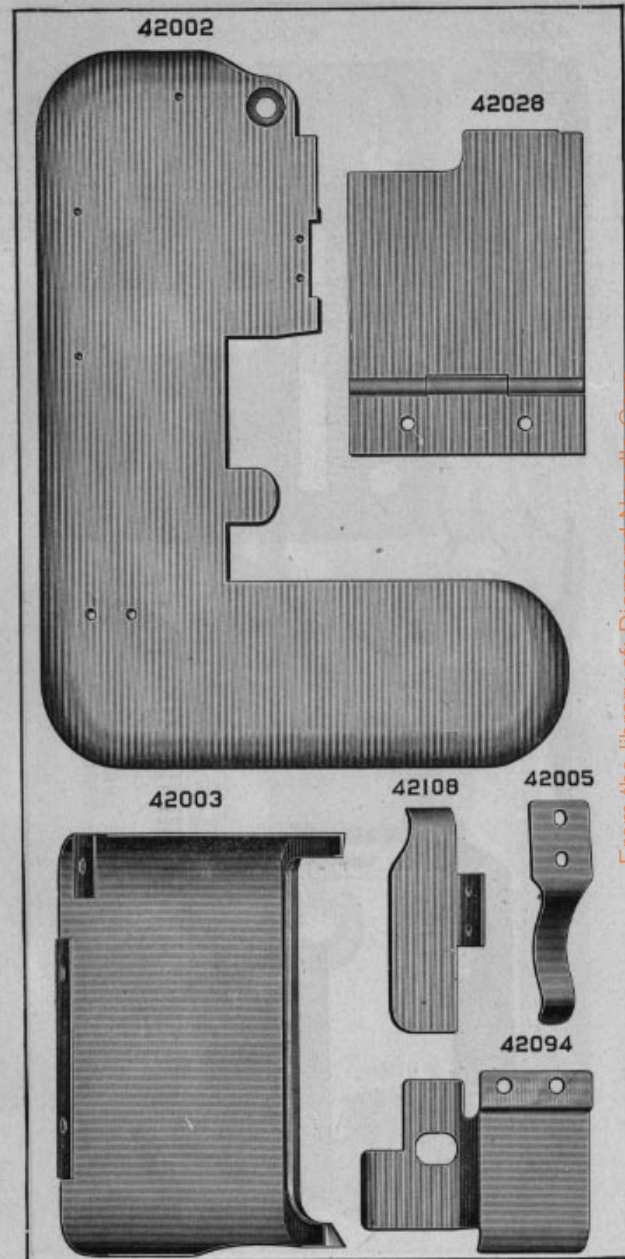


PLATE 5540—FULL SIZE

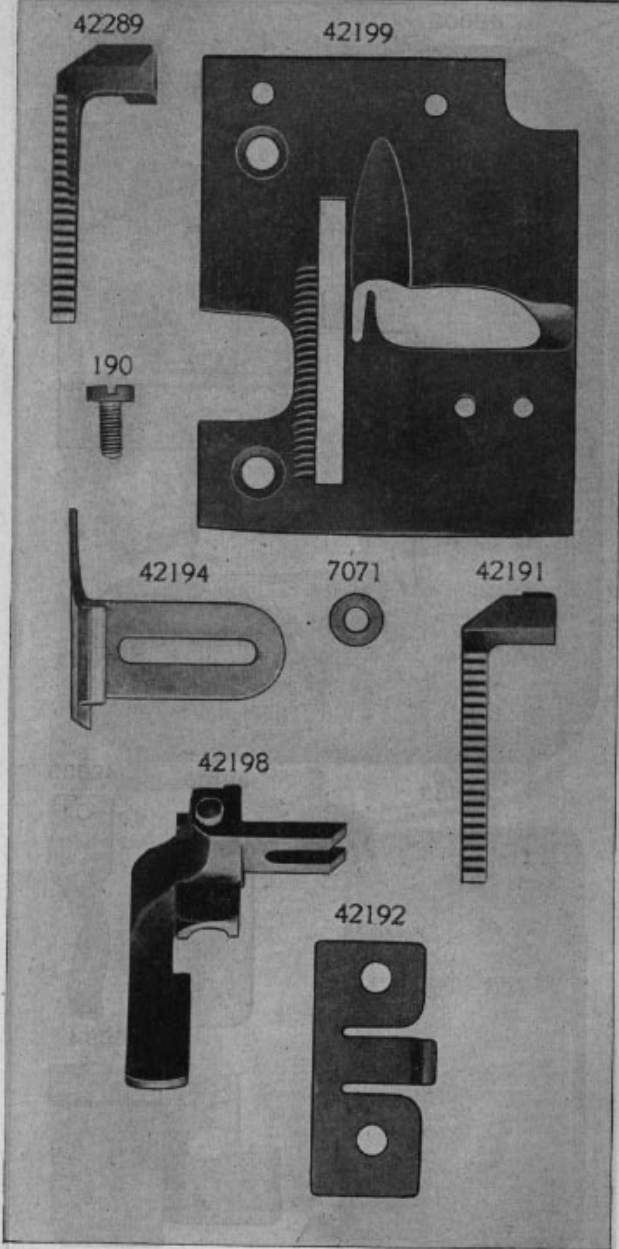


PLATE 5544—FULL SIZE

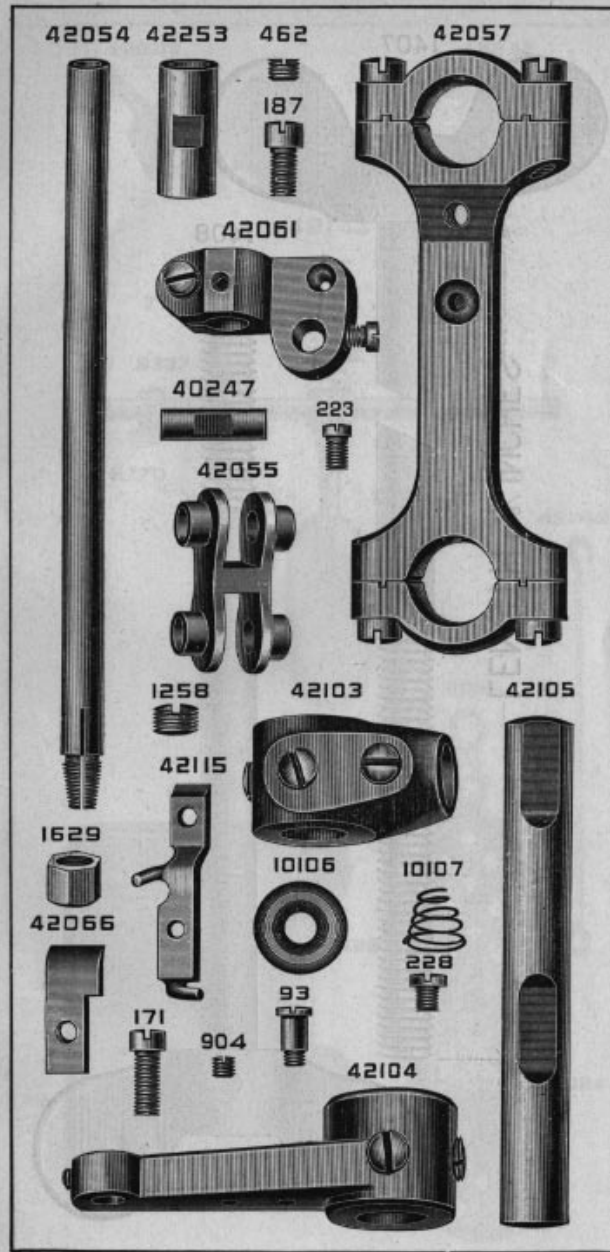


PLATE 5563—FULL SIZE

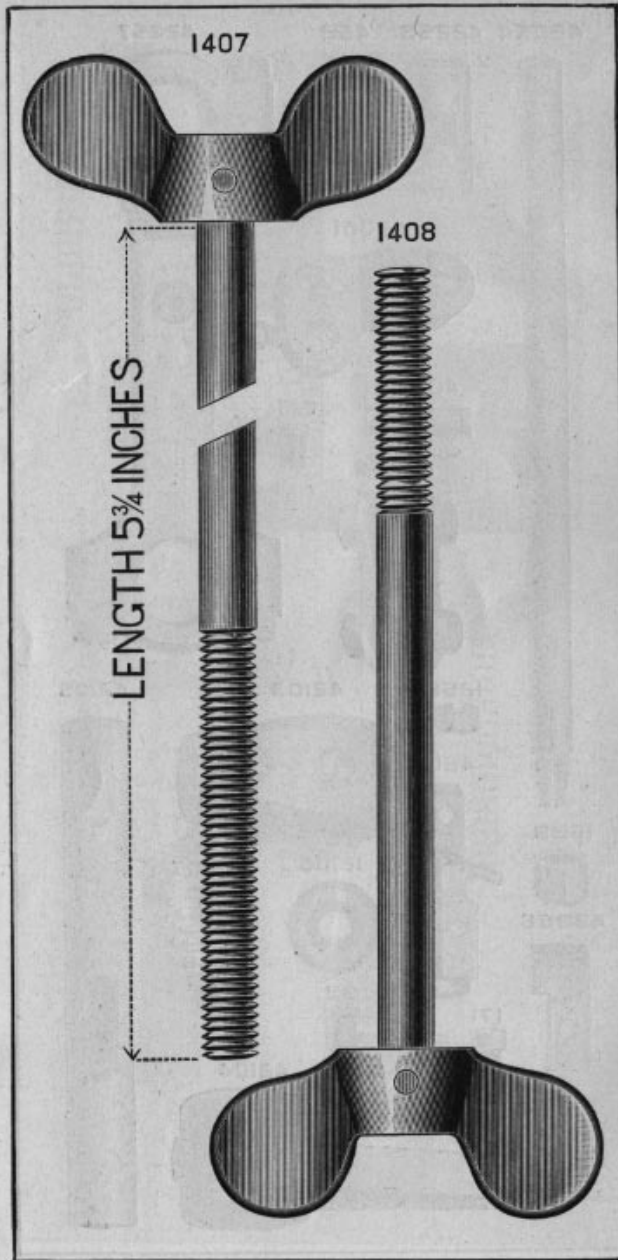


PLATE 5564—ONE-FOURTH SIZE

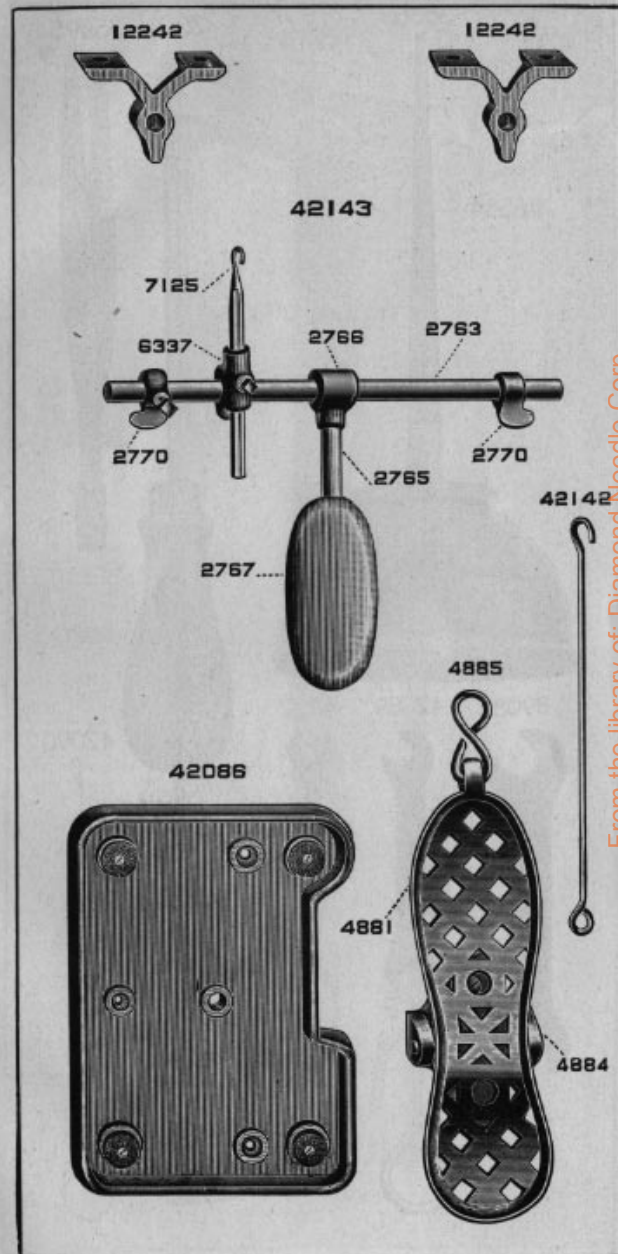
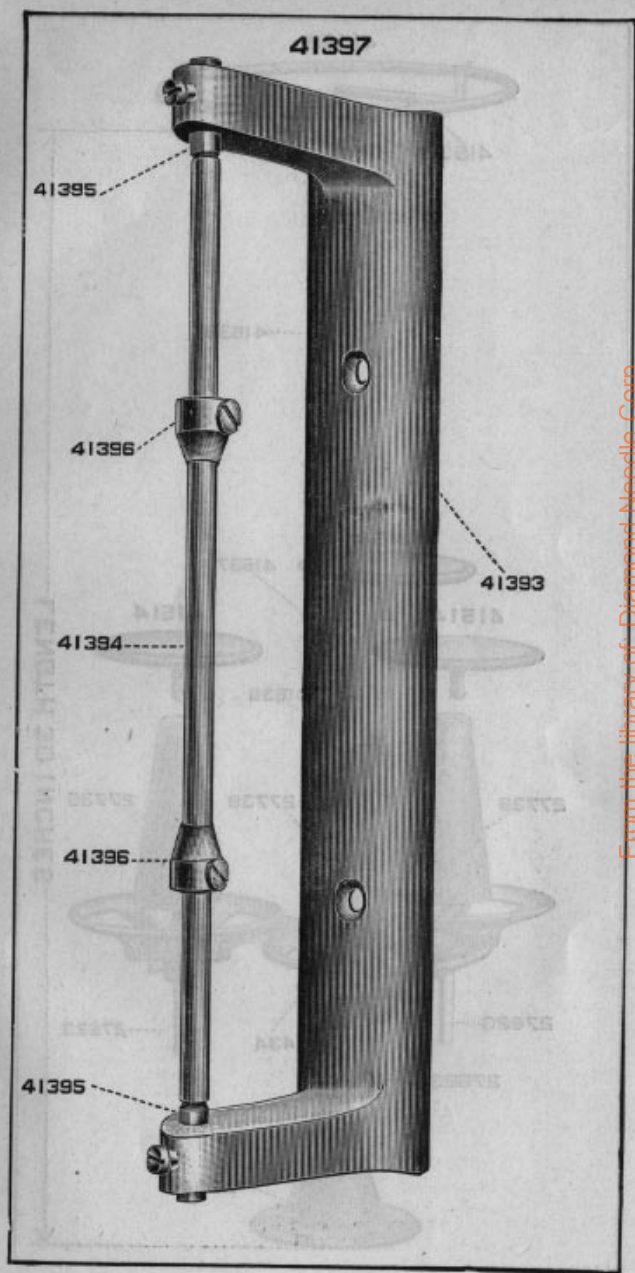


PLATE 5566—ONE-HALF SIZE



PLATE 5570—ONE-HALF SIZE



From the library of: Diamond Needle Corp

PLATE 5571—ONE-FOURTH SIZE

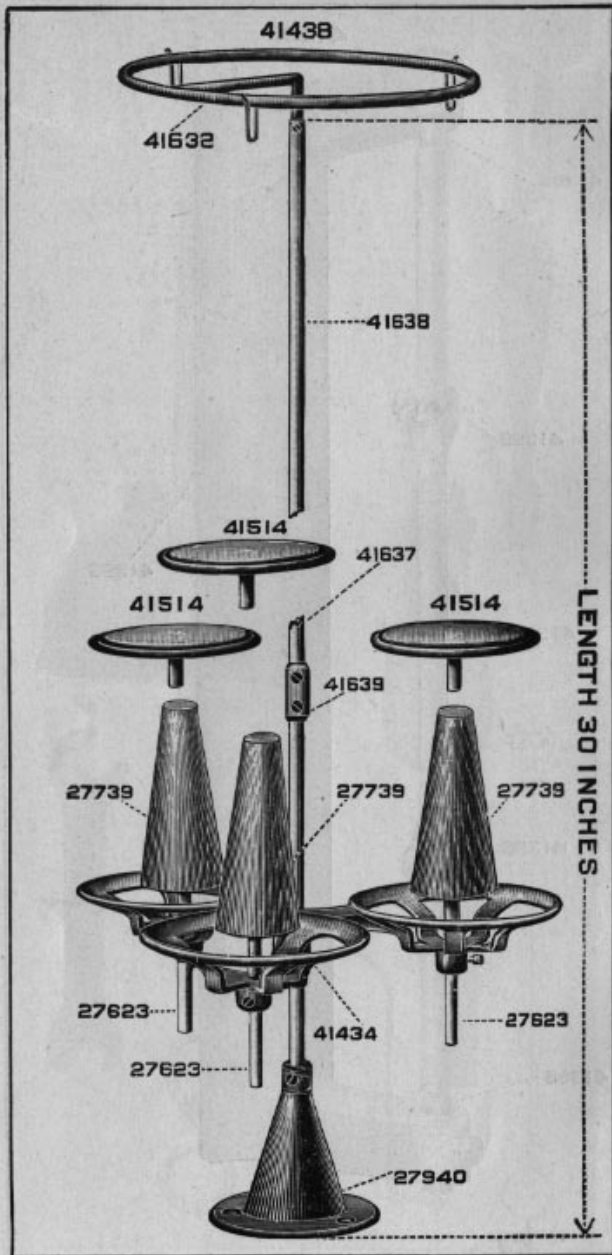
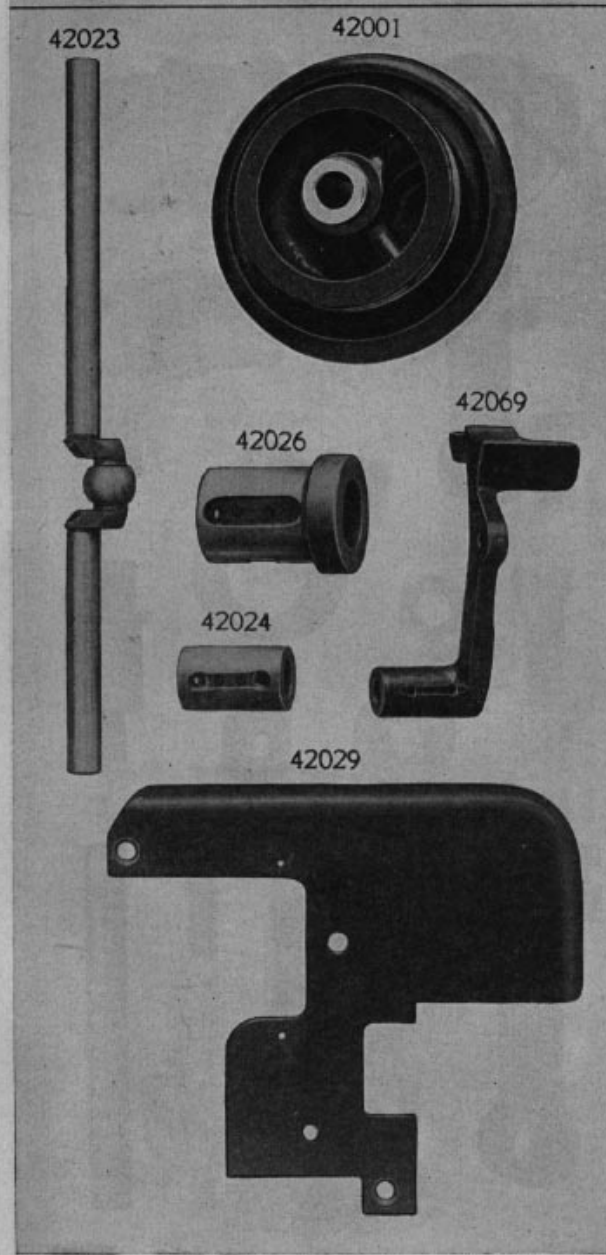


PLATE 5576—ONE-HALF SIZE



From the library of: Diamond Needle Corp

PLATE 5578—FULL SIZE

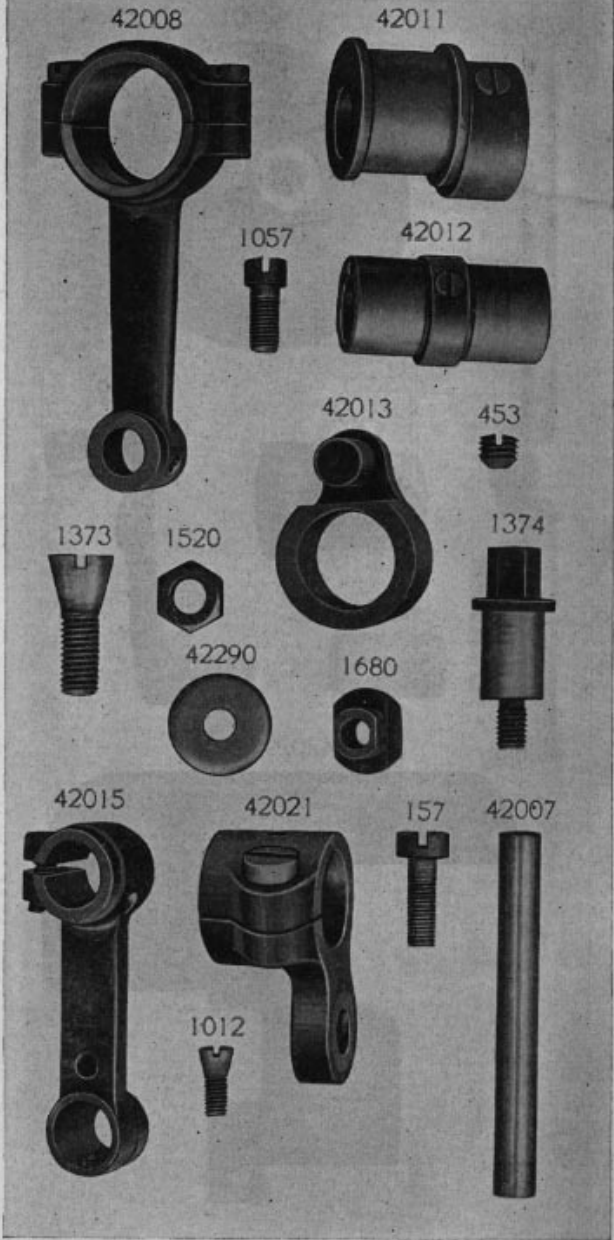
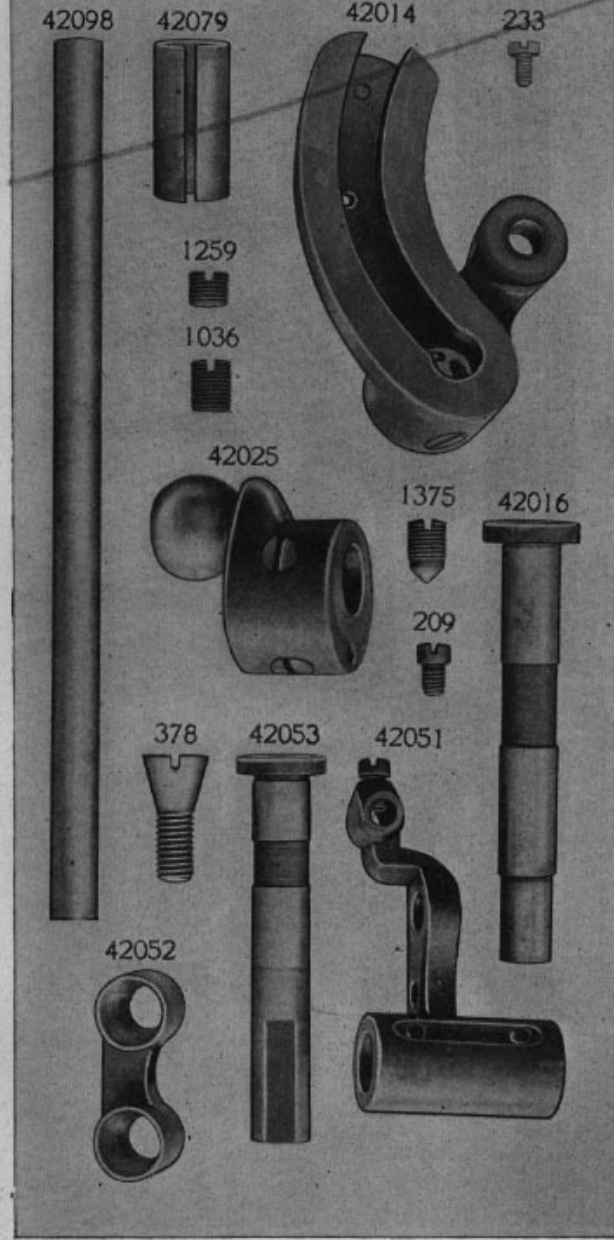


PLATE 5579—FULL SIZE



From the library of: Diamond Needle Corp

PLATE 5582—FULL SIZE

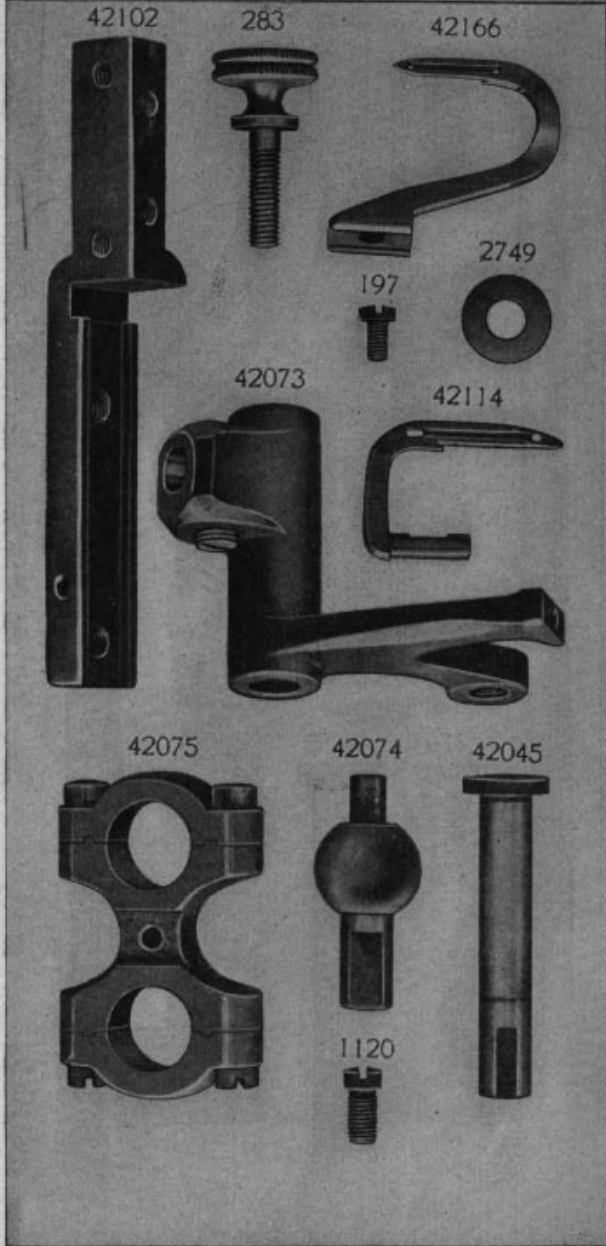
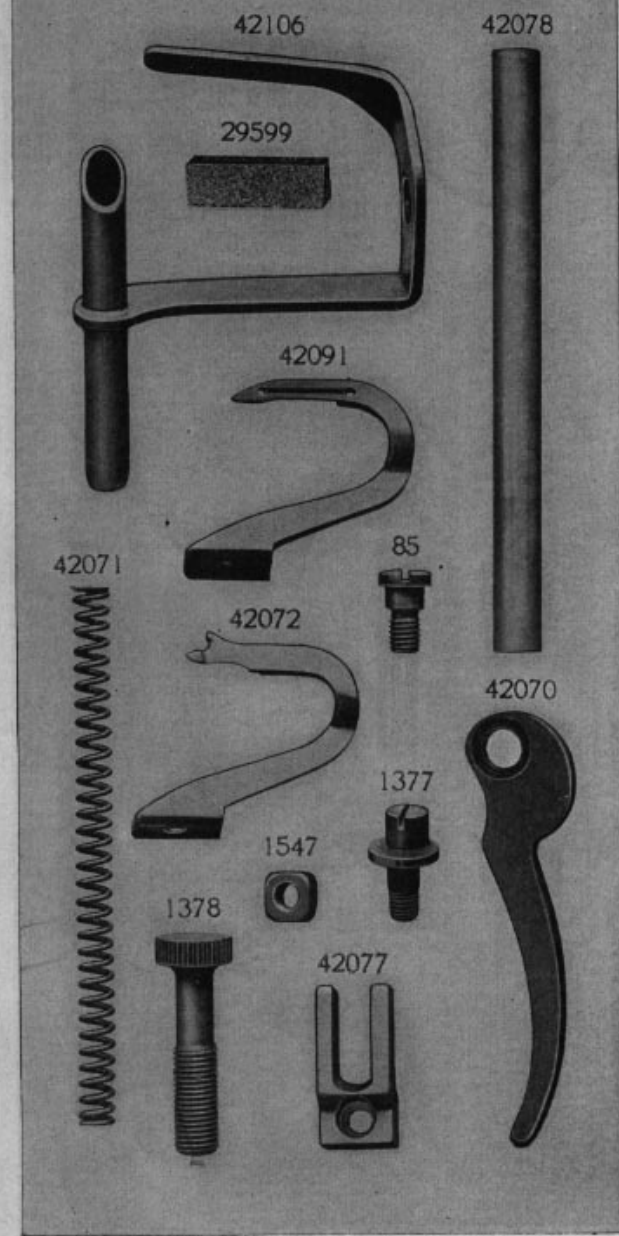


PLATE 5584—FULL SIZE



From the library of: Diamond Needle Corp

PLATE 5585—FULL SIZE

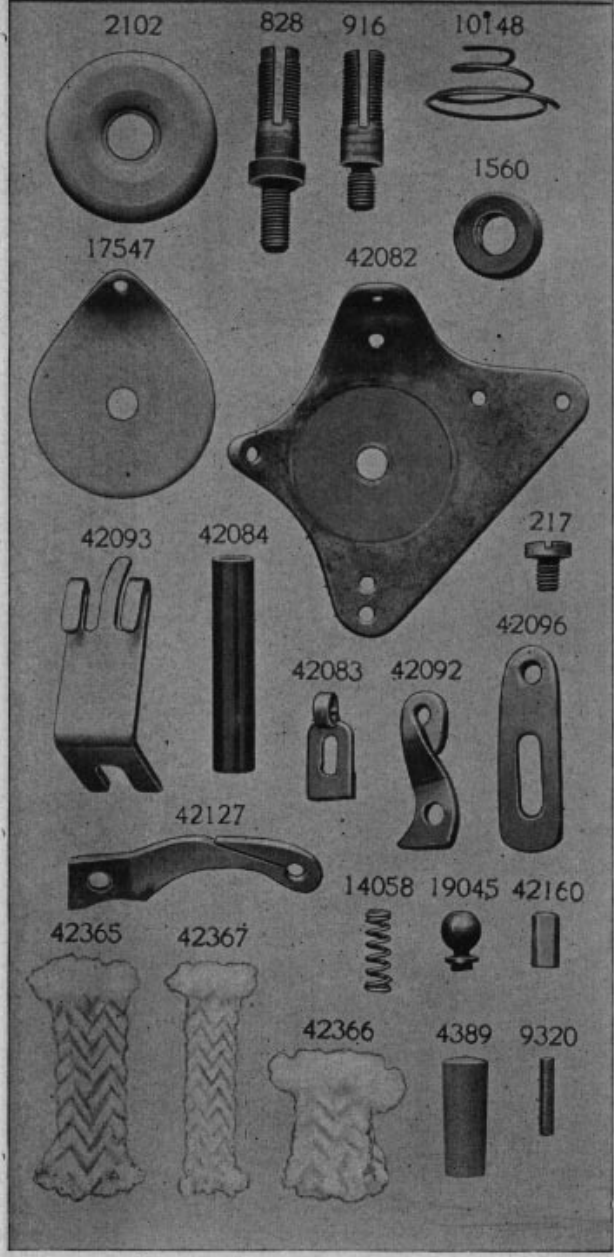


PLATE 5586—FULL SIZE



From the library of: Diamond Needle Corp

PLATE 5587—FULL SIZE

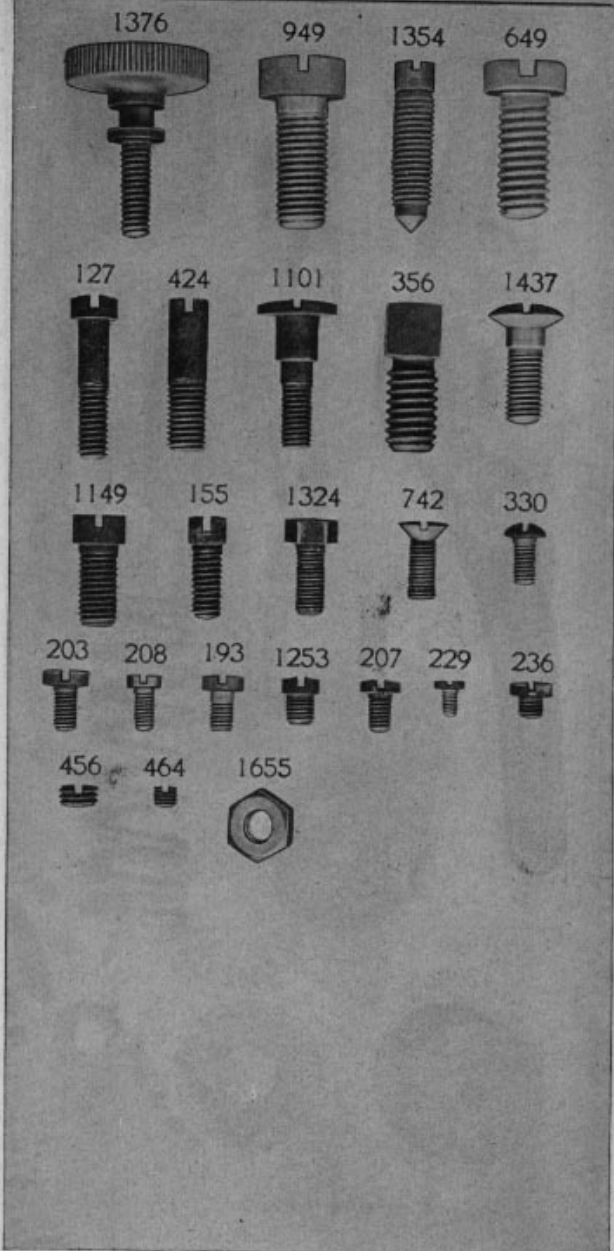
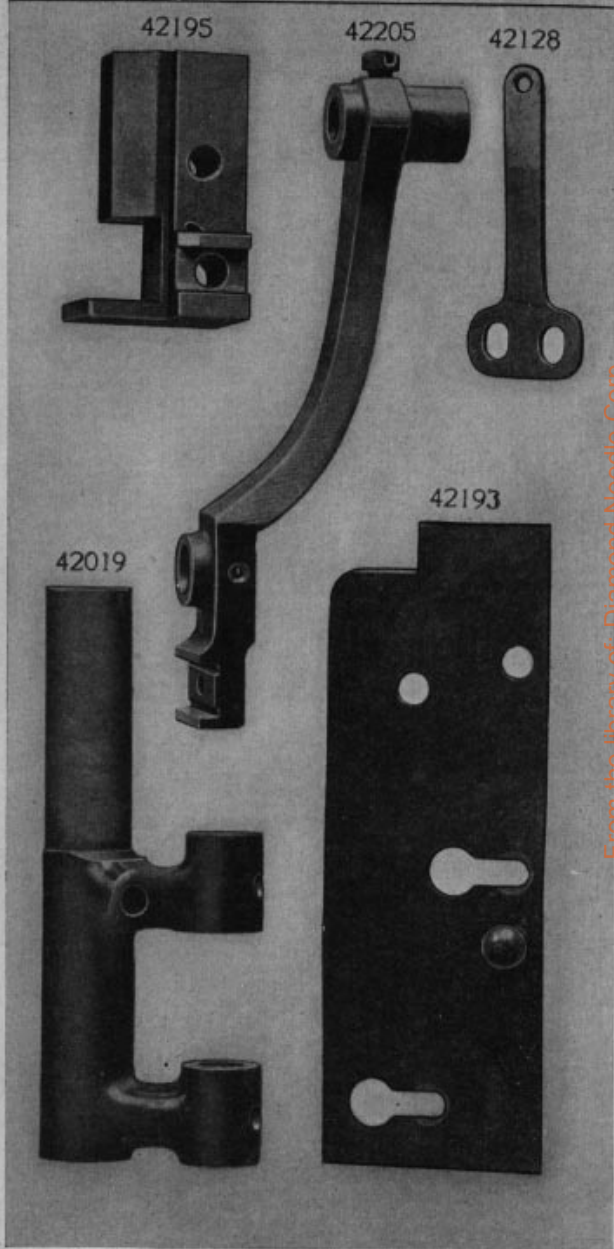


PLATE 5588—FULL SIZE



From the library of: Diamond Needle Corp